

产品规格书
PRODUCT SPECIFICATION

客户名称/Customer	
客户料号/Part No.	
客户承认签章 Customer Approved Signatures	

供方/Supplier	友容新源电气（昆山）有限公司 Cfriend Electric (kunshan) Co.,Ltd
文件编号/Spec No.	CF-PS09112701
品名/Description	FUSE
型号/Model	CFH8/1/2/3 <input type="checkbox"/> <input type="checkbox"/> <input type="checkbox"/> AK
日期/Date	2019-1-23
设计/Designed By	批准/Approved By
胡曾	蒋秋

地址：中国江苏省昆山市周市镇陆扬友谊北路153号
ADD:No.153, Youyi North road, Zhoushi Town, Kunshan City,
Jiangsu Province in china

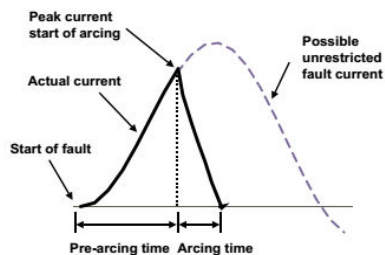
电话/Tel: 86-512-36698841 传真/Fax: 86-512-36698843

Http: www.cfriend-electric.com

CFH-FUSES Fuses for Semiconductor Protection IEC60269-1/IEC60269-4 standard

Size	Rated Voltage	Operating Class	Rated Breaking Capacity
------	---------------	-----------------	-------------------------

1*/1/2/: ac 690V aR 690Vac@100kA



型号 Product model

- CFH8/1/2/3□□□AK

型号诠释 Product Illustration

C F H 8 □□□ A K
 ① ② ③ ④ ⑤ ⑥ ⑦

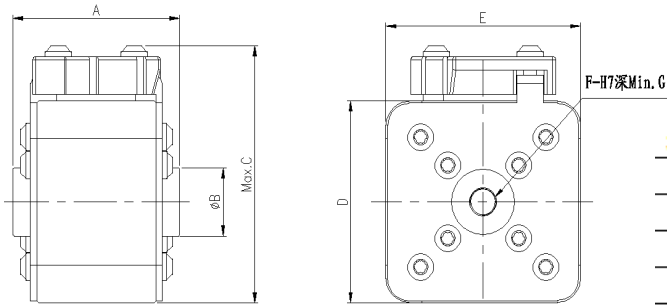
- ① 快速半导体保护用方体熔断体 (Fast-acting body fuses for semiconductor protection)
- ② 额定电压(Rated Voltage): F 690Vac
- ③ 安装方式(Way of Mounting): H 平端安装 (Flat end installation)
- ④ 管号规格(Size): 8: 1*号管 (size 1*) [1:size 1/2:size 2/3:size 3]
- ⑤ 额定电流(Rated Current): 40A- 2000A
- ⑥ 安装距离(Mounting Distance): A 50mm/51mm
- ⑦ 指示类型(Type of Indication): K K order

描述 Description

- 安全可靠的螺栓连接方式 (Safe and reliable connection way of bolting)
- 优越的电气性能，迅速切断系统中的故障电流。(Excellent electric performance, cut down fault current fastly)
- 设计符合 IEC60269-4 (Design according to IEC60269-4)
- 产品过程符合ISO9001质量管理体系要求 (Product Process Conforms to ISO9001)
- 产品符合RoHS (Product conform to ROHS)

外形尺寸 Dimensions

单位/ unit: mm



Size	A	B	C	D	E	F	G
1*	50	17	59	43	43	M8	8
1	51	20	70	51	51	M8	8
2	51	24	77	58	58	M10	10
3	51	30	92	73.5	73.5	M12	10

物料选择 Selection and ordering data

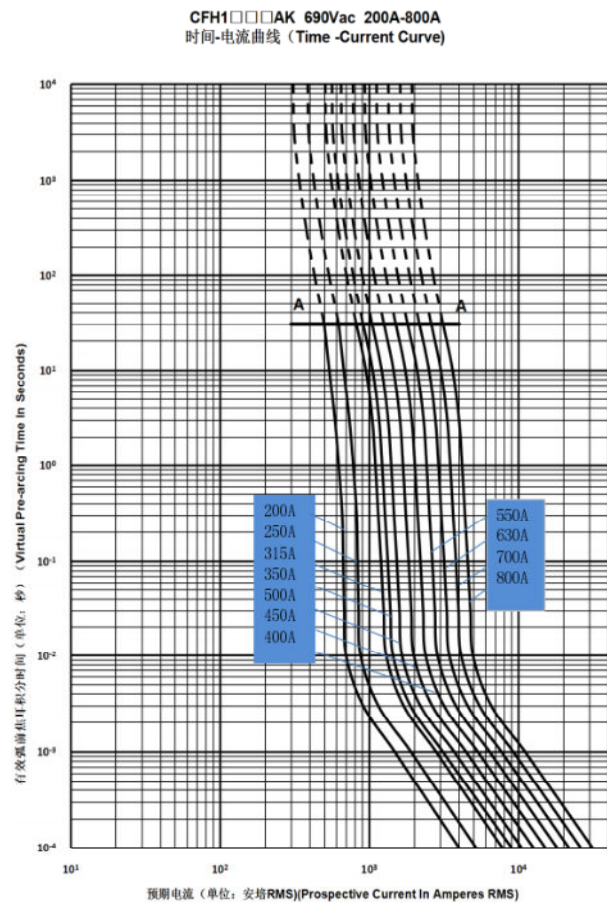
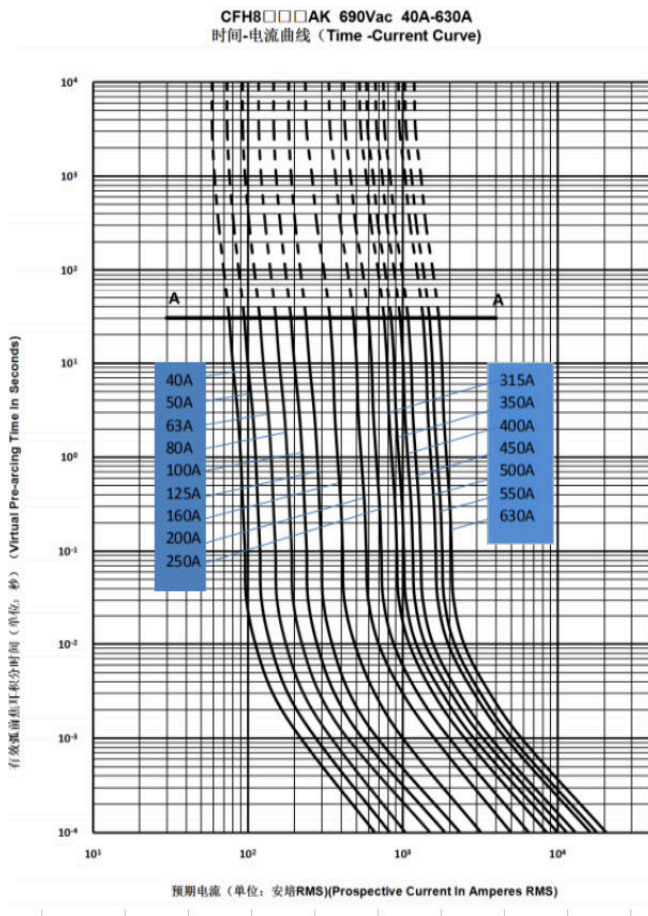
Size	Rated current 【A】	Rated voltage 【V】	Part Number	Power Loss 【W】	Pre-arcing 12t 【A ² S】	Total @690V 【A ² S】	Weight 【Kg/1PCS】	Pack
1*	40	690	CFH8040AK	9	40	270	0.3	2
	50	690	CFH8050AK	11	77	510	0.3	2
	63	690	CFH8063AK	14	115	760	0.3	2
	80	690	CFH8080AK	18	185	1250	0.3	2
	100	690	CFH8100AK	20	360	2450	0.3	2
	125	690	CFH8125AK	25	550	3700	0.3	2
	160	690	CFH8160AK	30	1100	7500	0.3	2
	200	690	CFH8200AK	35	2300	15500	0.3	2
	250	690	CFH8250AK	40	4100	28000	0.3	2
	315	690	CFH8315AK	50	6800	46000	0.3	2
	350	690	CFH8350AK	55	10000	70000	0.3	2
	400	690	CFH8400AK	60	14000	100000	0.3	2
	450	690	CFH8450AK	65	20000	140000	0.3	2
	500	690	CFH8500AK	70	26000	186000	0.3	2
550	690	CFH8550AK	75	33000	230000	0.3	2	
630	690	CFH8630AK	80	48000	320000	0.3	2	
1	200	690	CFH1020AK	40	1600	11000	0.45	2
	250	690	CFH1025AK	50	3000	21000	0.45	2
	315	690	CFH1031AK	58	6300	41000	0.45	2
	350	690	CFH1035AK	60	7800	58000	0.45	2
	400	690	CFH1040AK	66	12800	89000	0.45	2
	450	690	CFH1045AK	70	17500	121000	0.45	2
	500	690	CFH1050AK	75	21000	150000	0.45	2
	550	690	CFH1055AK	78	32000	210000	0.45	2
	630	690	CFH1063AK	82	51000	370000	0.45	2
	700	690	CFH1070AK	90	68000	450000	0.45	2
2	800	690	CFH1080AK	98	110000	710000	0.45	2
	400	690	CFH2040AK	58	12500	75000	0.6	2
	450	690	CFH2045AK	67	16500	99800	0.6	2
	500	690	CFH2050AK	75	22100	132000	0.6	2
	550	690	CFH2055AK	82	31200	212000	0.6	2
	630	690	CFH2063AK	88	45100	295000	0.6	2
	700	690	CFH2070AK	98	62000	413000	0.6	2
	800	690	CFH2080AK	105	88000	581000	0.6	2
	900	690	CFH2090AK	115	121000	786000	0.6	2
	1000	690	CFH2100AK	120	172000	1180000	0.6	2
	1100	需相关数据请知悉厂商						
1250								

物料选择 Selection and ordering data

Size	Rated current 【A】	Rated voltage 【V】	Part Number	Power Loss 【W】	Pre-arcing 12t I^2t 【A ² S】	Total @690V I^2t 【A ² S】	Weight 【Kg/1PCS】	Pack	
3	500	690V	CFH3050AK	87	15000	94000	0.9	1	
	550	690V	CFH3055AK	90	19000	130000	0.9	1	
	630	690V	CFH3063AK	95	31000	200000	0.9	1	
	700	690V	CFH3070AK	100	45000	300000	0.9	1	
	800	690V	CFH3080AK	105	65000	460000	0.9	1	
	900	690V	CFH3090AK	110	90000	660000	0.9	1	
	1000	690V	CFH3100AK	115	140000	955000	0.9	1	
	1100	690V	CFH3110AK	120	180000	1310000	0.9	1	
	1250	690V	CFH3125AK	125	280000	1800000	0.9	1	
	1400	690V	CFH3140AK	130	375000	2500000	0.9	1	
	1500	690V	CFH3150AK	140	450000	3200000	0.9	1	
	1600	需相关数据请知悉厂商							
	1800								
2000									

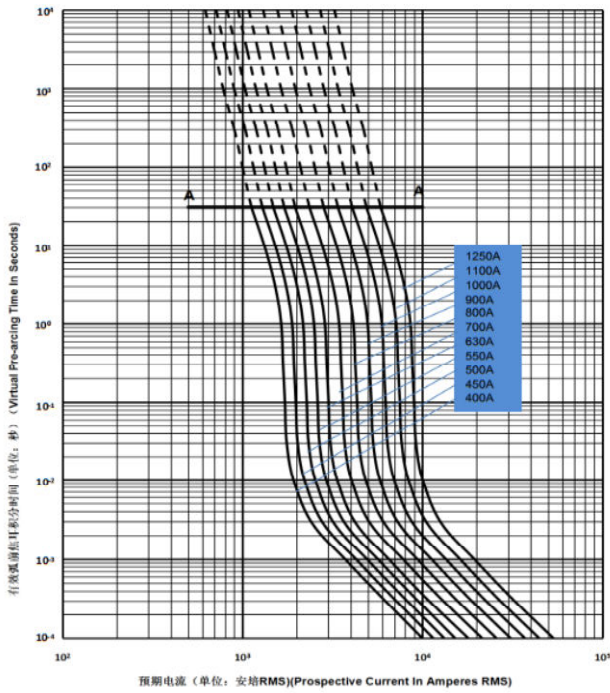
特性曲线 Characteristic Curves

时间电流特性曲线 Time- Current Characteristics Curve

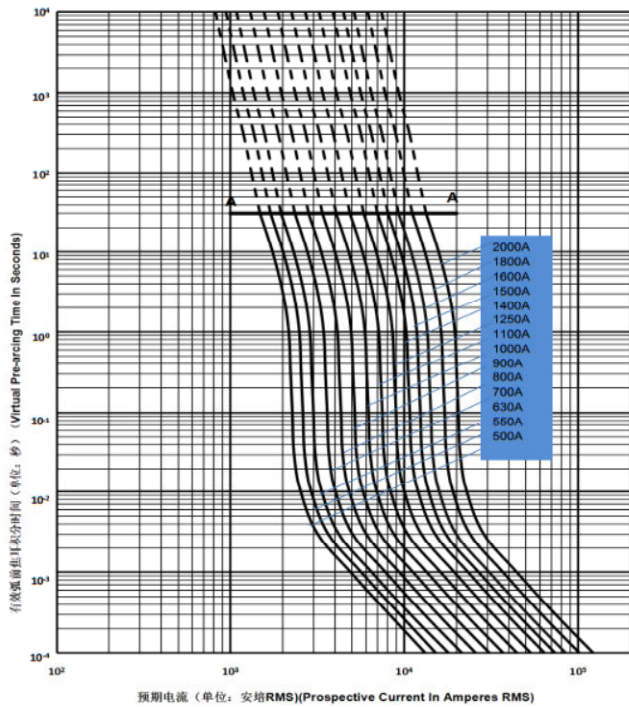


时间电流特性曲线 Time- Current Characteristics Curve

CFH2□□□AK 690Vac 400A-1250A
时间-电流曲线 (Time -Current Curve)



CFH3□□□□□ 690Vac 500A-2000A
时间-电流曲线 (Time -Current Curve)



使用条件 Operating condition

No	项目 Item	要求 Requirements
1	使用电压范围 Operating voltage	≤690V
2	使用环境 Operating environment	-40℃~85℃ RH<50%(≥40℃) RH<90%(≤20℃)
3	保存环境 Storage environment	-5℃~40℃ RH<75%
4	海拔高度 altitude	≤3000m
5	安装扭矩 Install torque	M8(8.8) studs:6Nm M8(8.8) nuts:12Nm M10(8.8) studs:8Nm M10(8.8) nuts:38Nm M12(8.8) studs:8Nm M12(8.8) nuts:39Nm

