

产品规格书
PRODUCT SPECIFICATION

客户名称/Customer	
客户料号/Part No.	
客户承认签章 Customer Approved Signatures	

供方/Supplier	友容新源电气（昆山）有限公司 Cfriend Electric (kunshan) Co.,Ltd
文件编号/Spec No.	CF-PS20210907001
品名/Description	FUSE
型号/Model	DBH3050EK~DBH3100EK
日期/Date	2021-9-7
设计/Designed	批准/Approved
胡曾	kevin

地址：中国江苏省昆山市周市镇陆扬友谊北路153号
ADD:No.153, Youyi North road, Zhoushi Town, Kunshan City,
Jiangsu Province in china

电话/Tel: 86-512-36698841

传真/Fax: 86-512-36698843

Http: www.cfriend-electric.com



DBH-FUSES Fuses for Semiconductor Protection
IEC60269-4/GB/T13539.4 standard

SIZE	Rated Voltage	Operating Class	Rated Breaking Capacity
3	DC 1000V	a R	1000V@50kA

型号 Product model

- DBH3050EK~DBH3100EK

型号诠释 Product Illustration

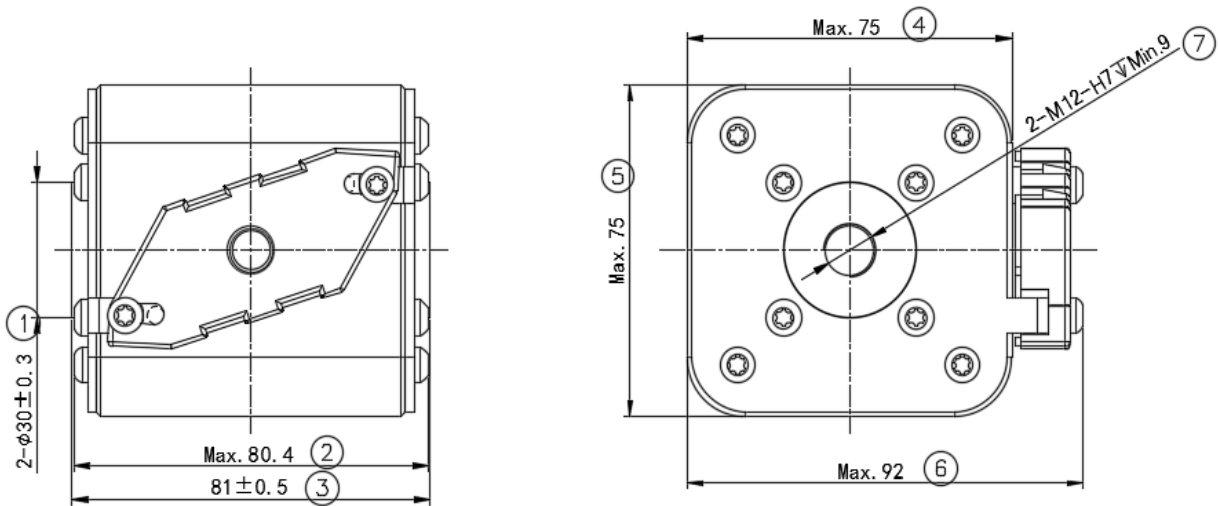
D B H 3 □□□ E K
 ① ② ③ ④ ⑤ ⑥ ⑦

- ① 直流快速半导体保护用熔断体 (DC fast-acting fuses for semiconductor protection)
- ② 额定电压(Rated Voltage): B 1000VDC
- ③ 安装方式(Way of Mounting): H 平端安装(Flush-end contact)
- ④ 管号规格(Size): 3 3号管 (size 3)
- ⑤ 额定电流(Rated Current): A
- ⑥ 安装距离(Mounting Distance): E 80mm
- ⑦ 指示类型(Type of Indication): K (K Order)

描述 Description

- 安全可靠的螺栓连接方式 (Safe and reliable connection way of bolting)
- 优越的电气性能，迅速切断系统中的故障电流。
(Excellent electric performance, cut down fault current fastly)
- 设计符合 IEC60269-4/GB/T13539.4 (Design according to IEC60269-4/GB/T13539.4)
- 产品过程符合IS09001质量管理体系要求 (Product Process Conforms to IS09001)
- 产品、包装符合RoHS (Product and Package conform to ROHS)

外形尺寸 Dimensions

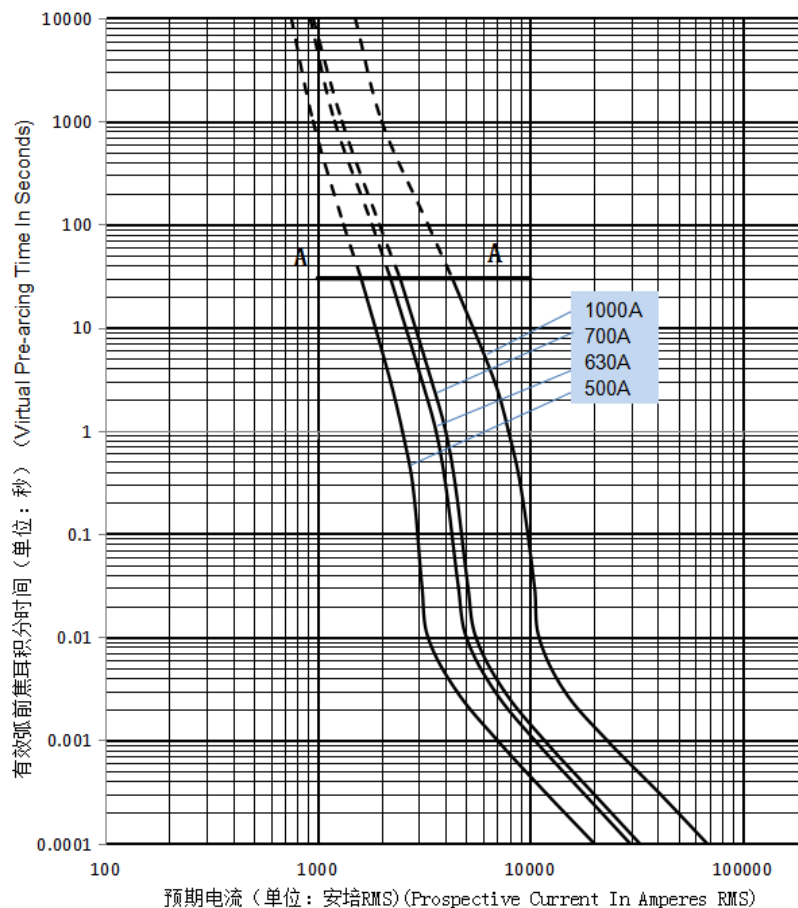


物料选择 Selection and ordering data

Rated current 【A】	Rated voltage 【V】	Part Number	Power Loss 【w】	Pre-arcing i^2t 【A ² S】	Total i^2t @1250V i^2t 【A ² S】	Weight 【Kg/1】	Pack
500	1000	CBH3050EK	116	38000	305000	1.3	1
630		DBH3063EK	140	83000	666000	1.3	1
700		DBH3070EK	180	110000	710000	1.3	1
1000		CBH3100EK	240	444000	2770000	1.3	1

时间电流特性曲线 Time- Current Characteristics Curve

时间-电流曲线 (Time -Current Curve)



使用条件 Operating condition

No	项目 Item	要求 Requirements
1	使用电压范围 Operating voltage	≤1000V
2	使用环境 Operating environment	-5℃~85℃ RH<50%(≥40℃) RH<90%(≤20℃)
3	保存环境 Storage environment	-5℃~85℃ RH<75%
4	海拔高度 altitude	≤2000m(超过范围请联系厂商)
5	安装扭矩 Install torque	M12(8.8) studs:8Nm M12(8.8) nuts:39Nm
6	污秽等级 Pollution level	III

