

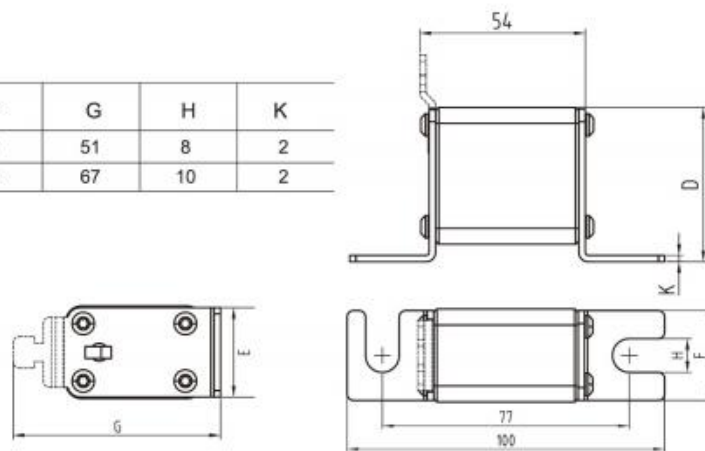
**690V DIN type43653 size000/00 10-400A**

**【SELECTION TABLE】**

Size	Current	Type 80 with Indicator		Type 80T with Microswitch can be matched		Min Packing Qty	Packing Weight	Fig.No.
		Model	Ordering No.	Model	Ordering No.			
000	10	CFL9010EI	TN203860	CFL9010ET	TN204680	3	0.4	【Fig.-1G1A】
	16	CFL9016EI	TN203870	CFL9016ET	TN204690			
	20	CFL9020EI	TN203880	CFL9020ET	TN204700			
	25	CFL9025EI	TN203890	CFL9025ET	TN204710			
	32	CFL9032EI	TN203900	CFL9032ET	TN204720			
	40	CFL9040EI	TN203910	CFL9040ET	TN204730			
	50	CFL9050EI	TN203920	CFL9050ET	TN204740			
	63	CFL9063EI	TN203930	CFL9063ET	TN204750			
	80	CFL9080EI	TN203940	CFL9080ET	TN204760			
	100	CFL9100EI	TN203950	CFL9100ET	TN204770			
	125	CFL9125EI	TN203960	CFL9125ET	TN204780			
	160	CFL9160EI	TN203970	CFL9160ET	TN204790			
	200	CFL9200EI	TN203980	CFL9200ET	TN204800			
	250	CFL9250EI	TN203990	CFL9250ET	TN204810			
315	CFL9315EI	TN204000	CFL9315ET	TN204820				
00	25	CFL0025EI	TN304010	CFL0025ET	TN304830	3	0.6	【Fig.-1G1A】
	32	CFL0032EI	TN304020	CFL0032ET	TN304840			
	40	CFL0040EI	TN304030	CFL0040ET	TN304850			
	50	CFL0050EI	TN304040	CFL0050ET	TN304860			
	63	CFL0063EI	TN304050	CFL0063ET	TN304870			
	80	CFL0080EI	TN304060	CFL0080ET	TN304880			
	100	CFL0100EI	TN304070	CFL0100ET	TN304890			
	125	CFL0125EI	TN304080	CFL0125ET	TN304900			
	160	CFL0160EI	TN304090	CFL0160ET	TN304910			
	200	CFL0200EI	TN304100	CFL0200ET	TN304920			
	250	CFL0250EI	TN304110	CFL0250ET	TN304930			
	315	CFL0315EI	TN304120	CFL0315ET	TN304940			
	350	CFL0350EI	TN304130	CFL0350ET	TN304950			
	400	CFL0400EI	TN304140	CFL0400ET	TN304960			

**【DIMENSIONS】**

Size	D	E	F	G	H	K
000	40	21	20	51	8	2
00	51	30	28	67	10	2



【Fig.-1G1A】 Unit: mm