

# 产品规格书

## PRODUCT SPECIFICATION

客户名称/ Name of Customer	
客户料号/ Part No.	
客户承认签章/ Customer Approved Signatures	

供方/ Supplier	友容新源电气（昆山）有限公司 CFriend Electric(Kunshan)Co.,LTD	设计 /Designer	Kevin
文件编号/ Spec No.	CF-PS201228001	审核 /Checked	huzeng
品名/ Description	Micro Switch		
型号/ Model	IK69	批准 /Approved	Bill
日期/ Date	09/05/2019		

地址: 中国江苏省昆山市周市镇陆杨友谊北路153号

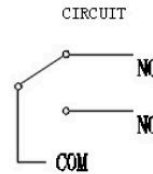
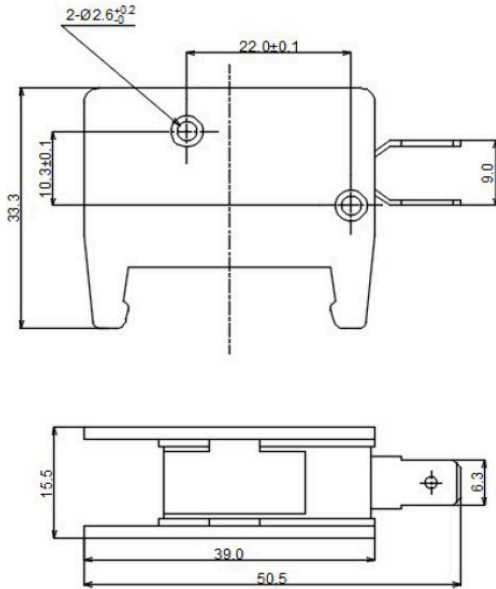
ADD: No.153, Youyi North Road, Zhoushi Town, Kunshan City, Jiangsu Province, China

电话/Tel: 86-512-36698841

传真/Fax: 86-512-36698843

网址/Web: [www.cfriend-electric.com](http://www.cfriend-electric.com)

外形尺寸/ Dimensions



1. General Characteristics 一般特性

1.1 Application: This specification is applied to the micro switch (KG series) for general applications.

适用范围：该承认书指微动开关（KG系列）的一般使用范围。

1.2 Operating Temperature Range: -40°C to +125°C

使用温度范围：-40°C to +125°C

Preservative Temperature Range: -40°C to +125°C

保存温度范围：-40°C to +125°C

1.3 Operating Relative Humidity: ≤85%RH

相对湿度：≤85%RH

1.4 Test Conditions: Unless otherwise specified, the atmospheric conditions for making measurements and tests are as follows:

实验条件：若没有特别说明，则试验大气条件如下：

Ambient Temperature: 5~35°C

环境温度：5~35°C

Relative Humidity: 45~85%

相对湿度：45~85%

Air Pressure: 86~106Kpa (860~1060mbar)

大气压力：86~106Kpa (860~1060mbar)

## 2.Ratings 额定负荷

CERTIFICATION	RATING	LIFE CYCLES
UL/CUL	16A 125/250VAC	10,000
ENEC	16(4)A 125/250VAC T125	50,000

## 3. Electrical Characteristics 电气特性

No.	Item 项目	Criteria 标准
2.1	Contact Resistance	100m $\Omega$ max.
2.2	Insulation Resistance	50 M $\Omega$ min.
2.3	Dielectric Voltage	No dielectric breakdown shall occur.

## 4.Material List 材料清单

序号 No.	零部件名称 Parts Name	数量 Quantity	材料, 规格 Material and Specifications	防火等级 Prevent fire grade	备注 Remarks
1	胶盖 Cover	1	PBT	UL94V-0	
2	底座 Case	1	PBT	UL94V-0	
3	按挚 Plunger	1	PBT	UL94V-0	
4	COM端子 COM Terminal	1	Cu Alloy		Ag PLATED
5	COM端子触点 COM Contact	1	Au Alloy		Ag PLATED
6	弹片 Spring	1	Cu Alloy		
7	支杆 Internal lever	1	Cu Alloy		Ag PLATED
8	动片 Moving Plate	1	Cu Alloy		Ag PLATED
9	动片触点 MP Contact	1	Au Alloy		
10	NC 端子 NC Terminal	1	Cu Alloy		Ag PLATED
11	NC 端子触点 NC Contact	1	Au Alloy		Ag PLATED
12	NO 端子 NO Terminal	1	Cu Alloy		Ag PLATED
13	NO 端子触点 NO Contact	1	Au Alloy		Ag PLATED