



# SPECIFICATION

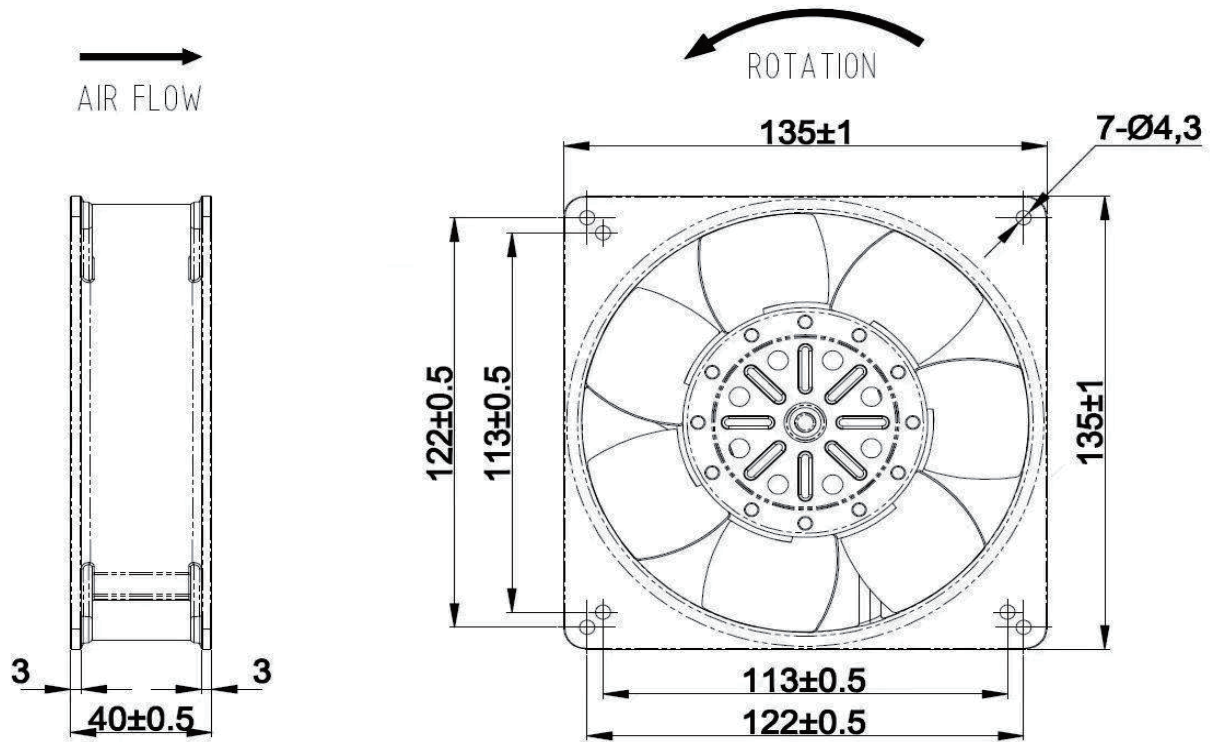
---

**MODEL**  
**K-AC13538-A220-27**

**1、  
PRODUCT SPECIFICATION**

NO	TEST ITEM	SPECIFICATION/CONDITION	
1	SAFETY AGENCY' S APPROVAL	/	
2	DIMENSION	135×135×38mm	
3	RATED VOLTAGE	220 VAC	
4	OPERATING VOLTAGE RANGE	220 VAC~240 VAC	
5	START-UP VOLTAGE	175VAC	
6	RATED CURRENT (A)	50Hz	0.18A (0.121MAX)
		60Hz	
8	RATED INPUT POWER (W)	50Hz	25W (27MAX)
		60Hz	
10	AIR FLOW (CFM)	50Hz	112CFM
		60Hz	
12	AIR PRESSURE (mmH <sub>2</sub> O)	50Hz	7.25(mmH <sub>2</sub> O)
		60Hz	
14	ROTATIONAL SPEED (R. P. M.)	50Hz	2700±10% (R.P.M.)
		60Hz	
16	ACOUSTICAL NOISE (dB-A)	50Hz	45dB-A (32dB-A MAX)
		60Hz	
18	INSULATION RESISTANCE	500VDC 100M Ω	
19	INSULATION & VOLTAGE RESISTANCE	1800VAC (50Hz) 0.5mA 1S	
20	LIFE EXPECTANCE	50,000 HRS AT TEMP. 25°C , 15%~65RH	
21	OPERATING TEMPERATURE	-20°C~+75°C	
22	STORAGE TEMPERATURE	-35°C~+85°C	
23	WEIGHT		
24	MOTOR PROTECTION	IMPEDANCE PROTECTION	
25	INSULATION TYPE	CLASS B	
26	BEARING SYSTEM	Ball Bearing	
27	FRAME	AL (ADC12)	
28	STATOR&ROTOR	SILICON STEEL	
29	FAN BLADE	Iron blades	

2、  
PRODUCT DRAWING



••• : mm

DIMENSIONS UNIT:MM

3、  
Fan output curves of

