



TWO WHEEL CENTRIFUGAL
BLOWERS SERIES

Long life

EMC

Full -seal waterproof motor

IP68 &IP6K9K

产品参数

额定电压: DC26V \pm 0.2V, 接插件端测量值

最大转速: 3700RPM

使用电压范围: DC16V-DC32V

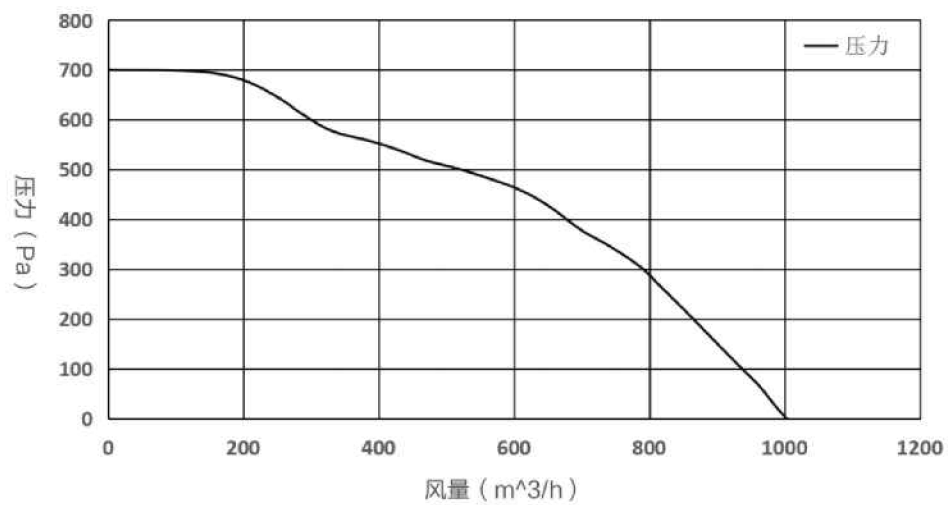
电机工作寿命 \geq 10000h

额定功率: 260W

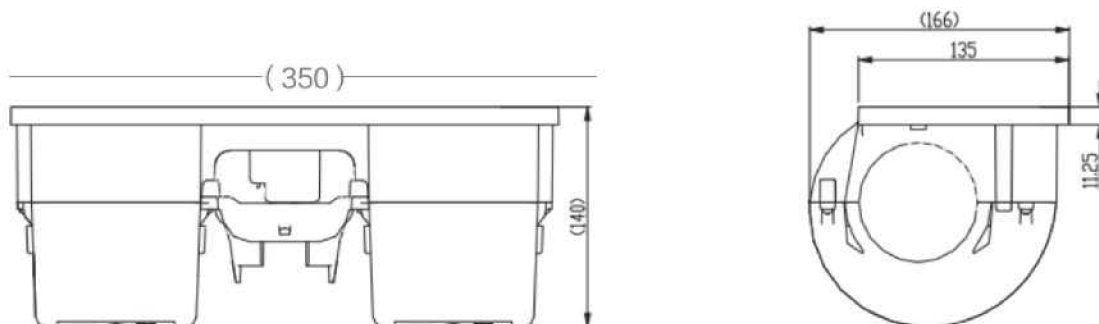
使用环境温度: -30°C ~ 85°C



性能曲线



产品尺寸



产品参数

Rated voltage: DC26V±0.2V, the measured value of the connector end

Maximum speed: 5000RPM

Use voltage range: DC16V-DC32V

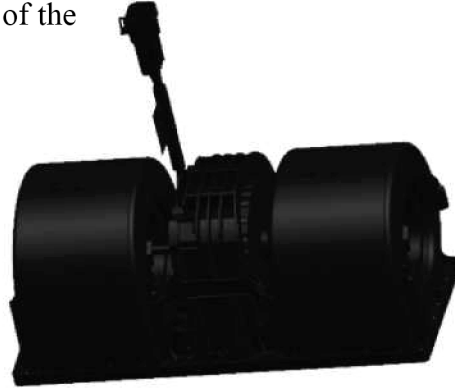
Motor working life ≥ 40000h

Rated power: 400W

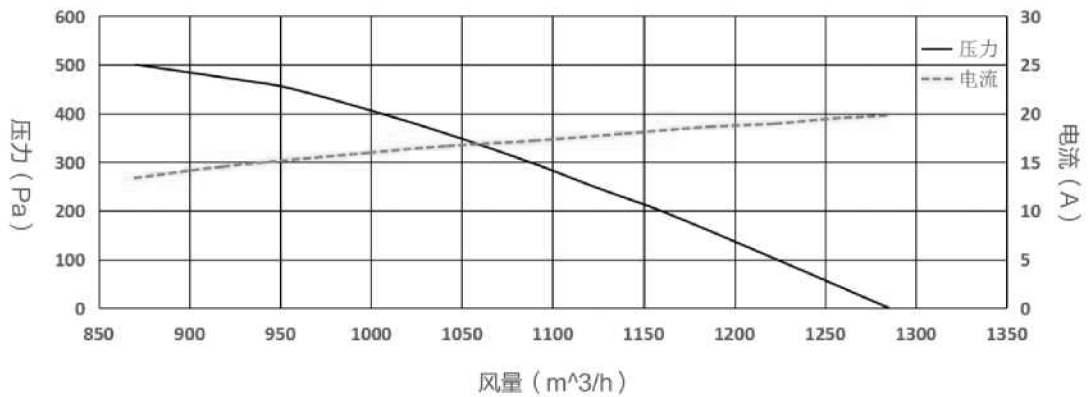
Ambient temperature: -40°C~120°C

Noise: 80 dBA

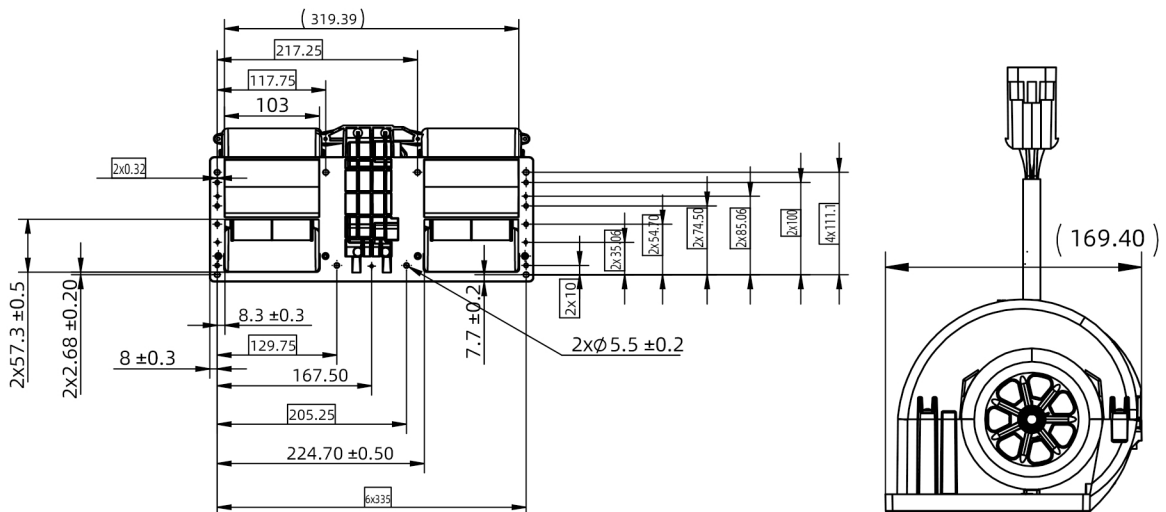
Weight: 2.5kg



性能曲线



产品尺寸





AXIAL FAN SERIES

PWM speed control

Super long life

EMC

full-seal waterproof motor

protection class IP68 & IP6K9K

产品参数

Rated voltage: DC13V±0.2V, measured value of connector terminal

Maximum speed: 3500RPM

Use voltage range: DC9V-DC16V

Motor working life ≥ 40000h

Rated power: 300W

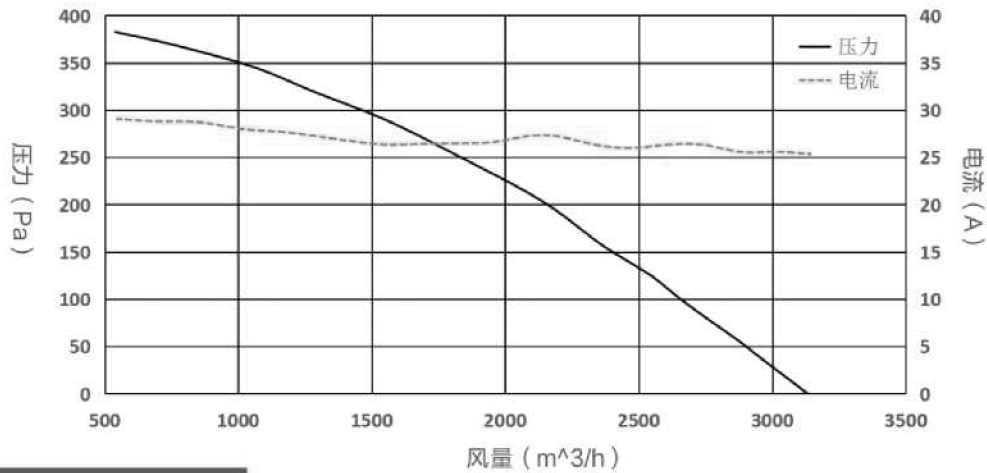
Ambient temperature: -40°C~120°C

Noise: 77dBA

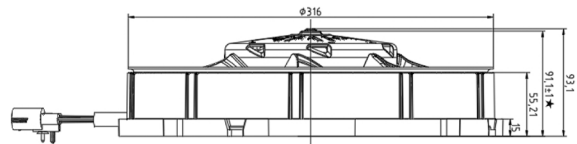
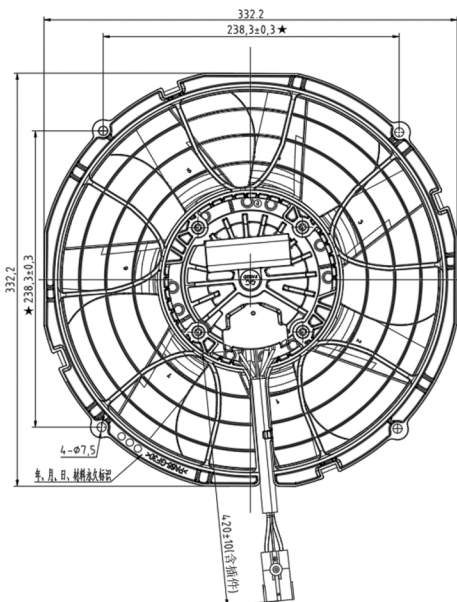
Weight: 2.45 kg



性能曲线



产品尺寸



产品参数

Rated voltage: DC26V±0.2V, measured value of connector terminal

Maximum speed: 3500RPM

Use voltage range: DC16V-DC32V

Motor working life≥40000h

Rated power: 300W

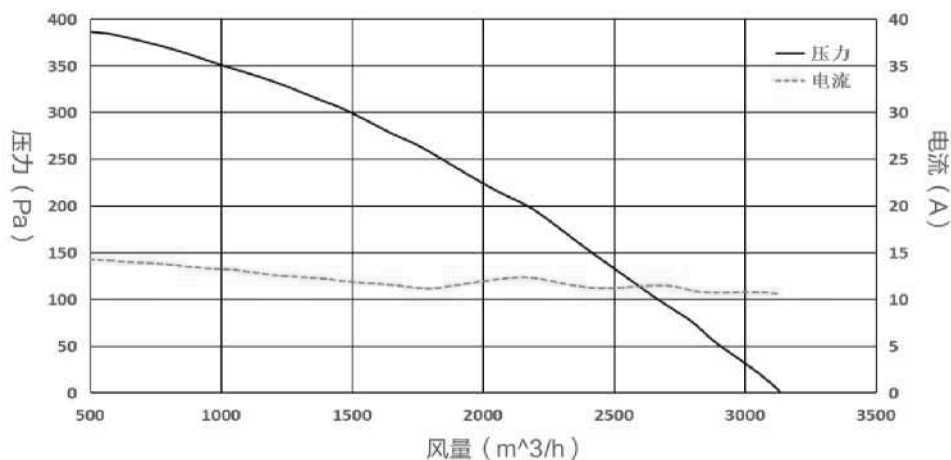
Ambient temperature: -40°C~120°C

Noise: 75 dBA

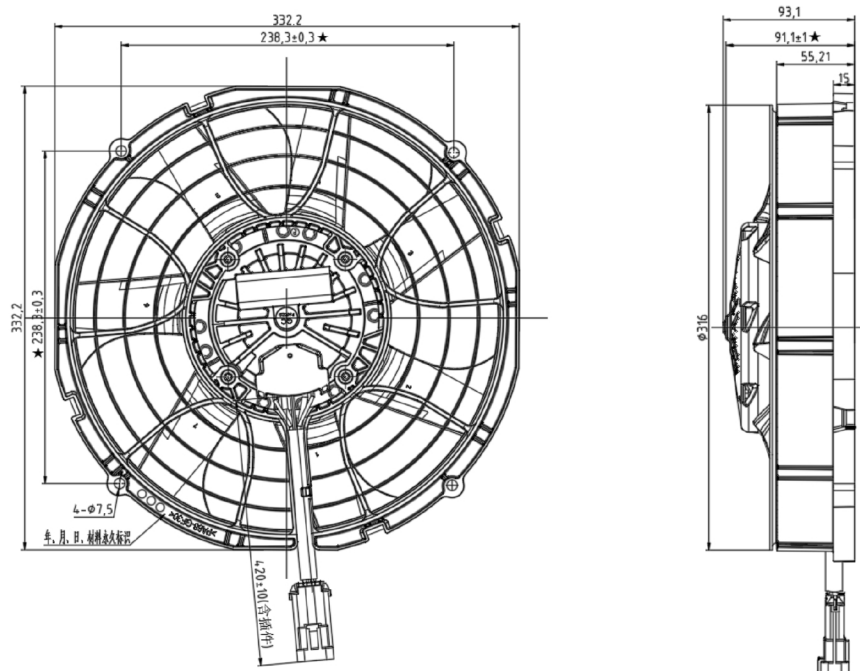
Weight: 2.45 kg



性能曲线



产品尺寸



产品参数

Rated voltage: DC26V±0.2V, measured value of connector terminal

Maximum speed: 3500RPM

Use voltage range: DC16V-DC32V

Motor working life ≥ 30000h

Rated power: 300W

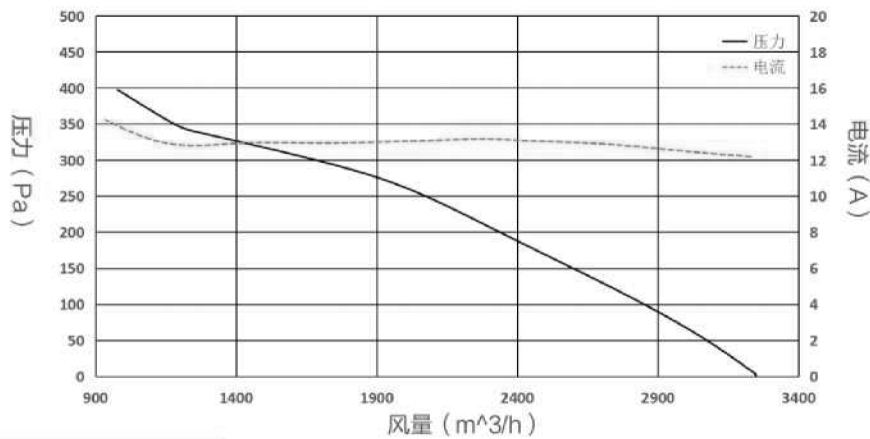
Ambient temperature: -40°C~85°C

Noise: 75 dBA

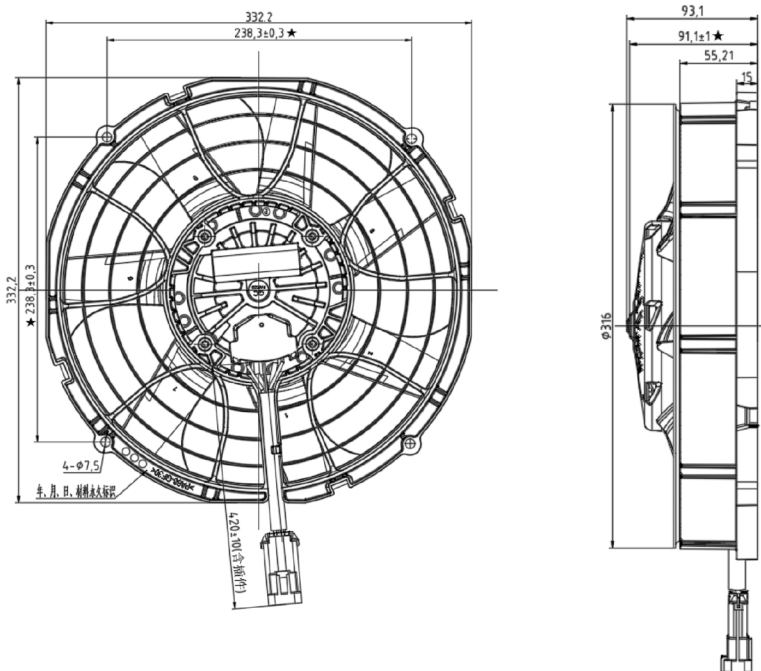
Weight: 2.45 kg



性能曲线



产品尺寸



产品参数

Rated voltage: DC26V±0.2V, measured value of connector terminal

Maximum speed: 3800RPM

Use voltage range: DC16V-DC32V

Motor working life ≥ 40000h

Rated power: 400W

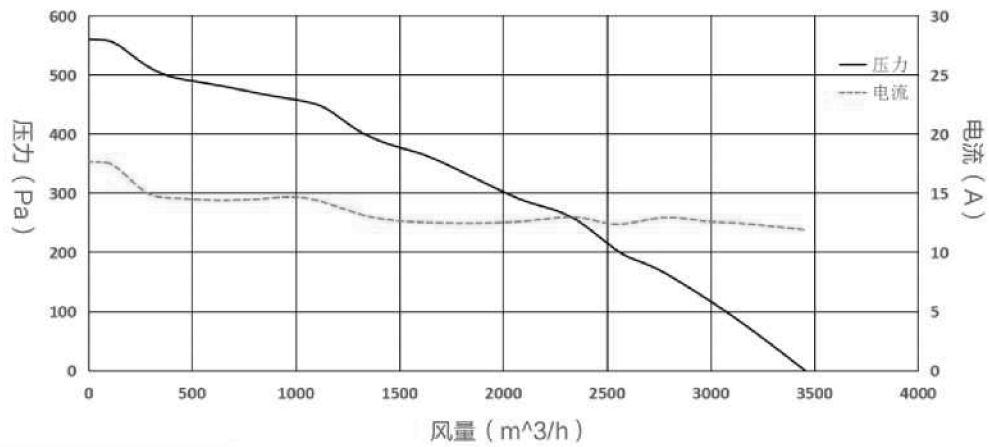
Ambient temperature: -40°C~120°C

Noise: 78 dBA

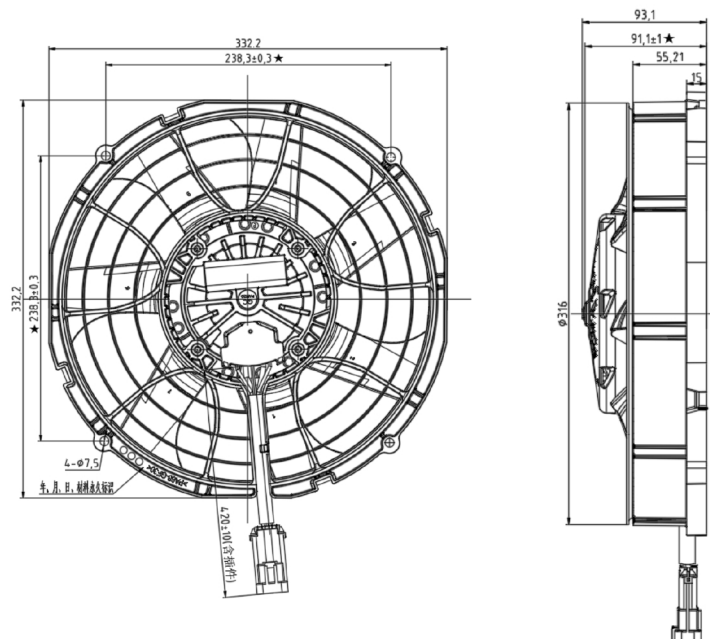
Weight: 2.45 kgs



性能曲线



产品尺寸



产品参数

Rated voltage: DC26V±0.2V, measured value of connector terminal

Maximum speed: 4100RPM

Use voltage range: DC16V-DC32V

Motor working life ≥ 40000h

Rated power: 500W

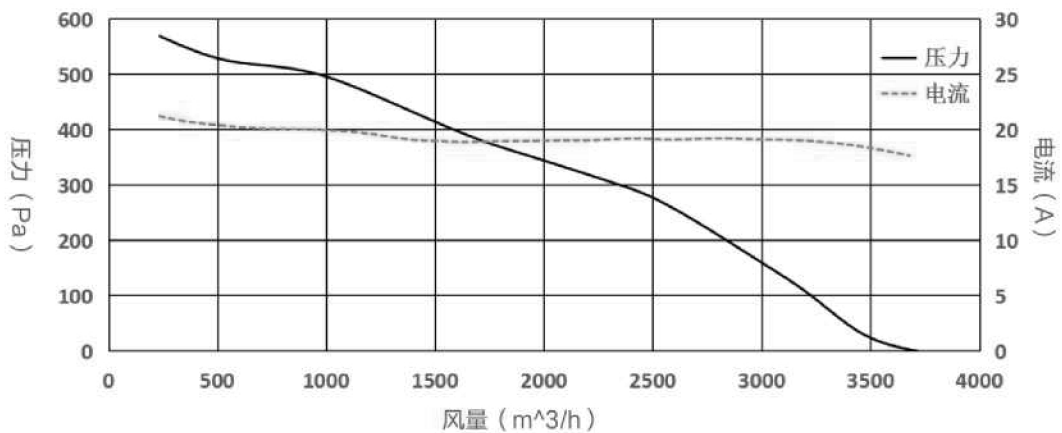
Ambient temperature: -40°C~120°C

Noise: 81 dBA

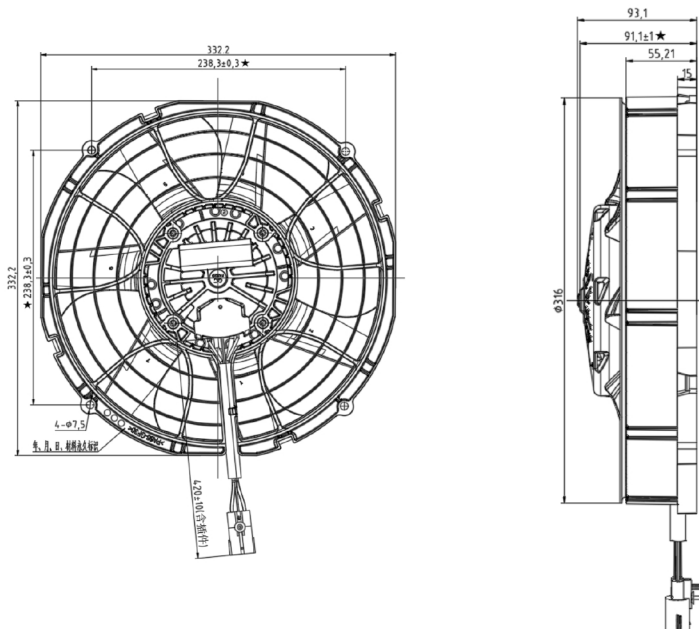
Weight: 2.45 kg



性能曲线



产品尺寸



产品参数

Rated voltage: DC26V±0.2V, measured value of connector terminal

Maximum speed: 4100RPM

Use voltage range: DC16V-DC32V

Motor working life ≥ 30000h

Rated power: 500W

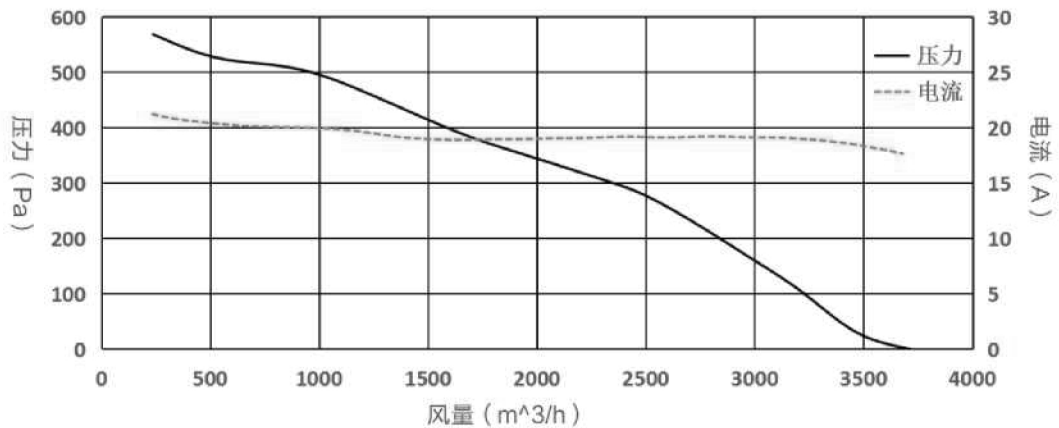
Ambient temperature: -40°C~85°C

Noise: 81 dBA

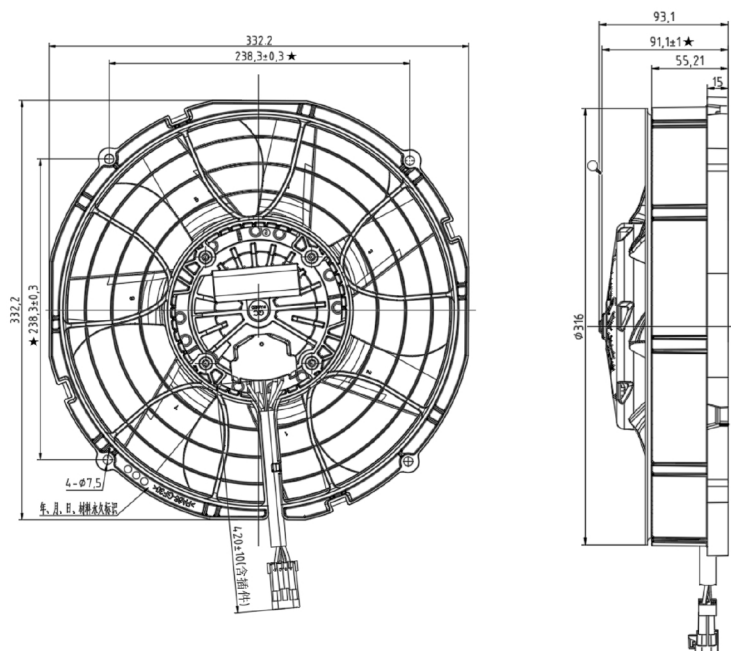
Weight: 2.45 kg



性能曲线



产品尺寸



产品参数

Rated voltage: DC26V±0.2V, measured value of connector terminal

Maximum speed: 4300RPM

Use voltage range: DC16V-DC32V

Motor working life ≥ 30000h

Rated power: 600W

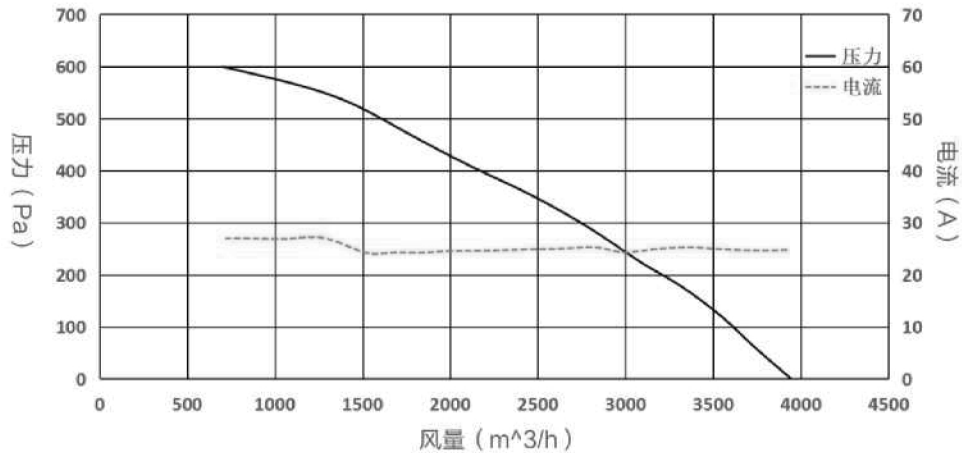
Ambient temperature: -40°C~120°C

Noise: 84 dBA

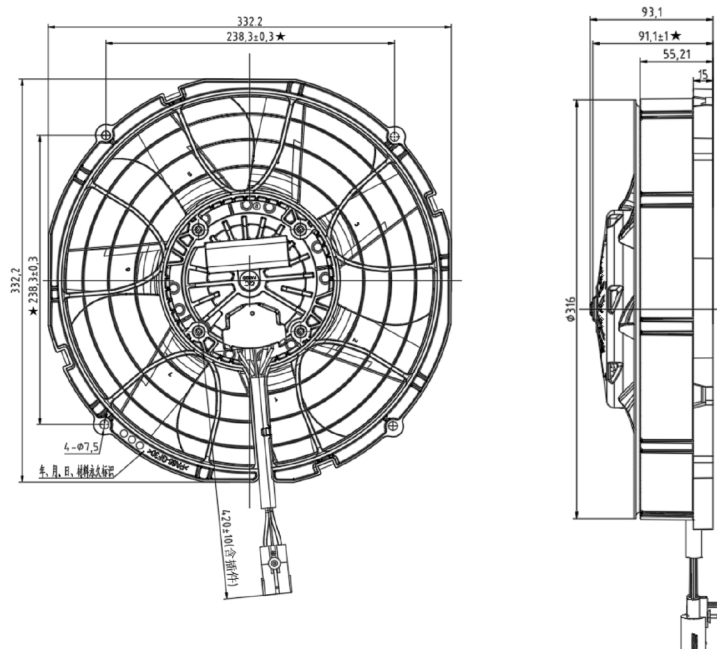
Weight: 2.45kg



性能曲线



产品尺寸



产品参数

Rated voltage: DC26V±0.2V, measured value of connector terminal

Maximum speed: 4750RPM

Use voltage range: DC16V-DC32V

Motor working life ≥ 20000h

Rated power: 800W

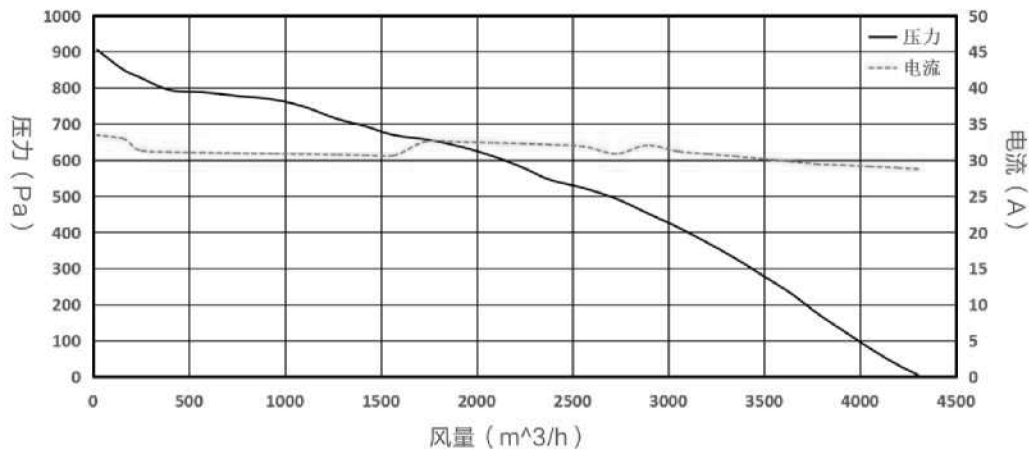
Ambient temperature: -40°C~85°C

Noise: 85.5 dBA

Weight: 2.5 kg



性能曲线



产品尺寸

