

The logo for Krube, featuring the word "Krube" in a bold, black, sans-serif font with a stylized orange and black graphic element above the 'r'. It is enclosed in a white circle with a blue border, which is part of a larger blue and white abstract graphic design on the left side of the page.

Krube

规格书

SPECIFICATION

MODEL

K-AC224-K230-11

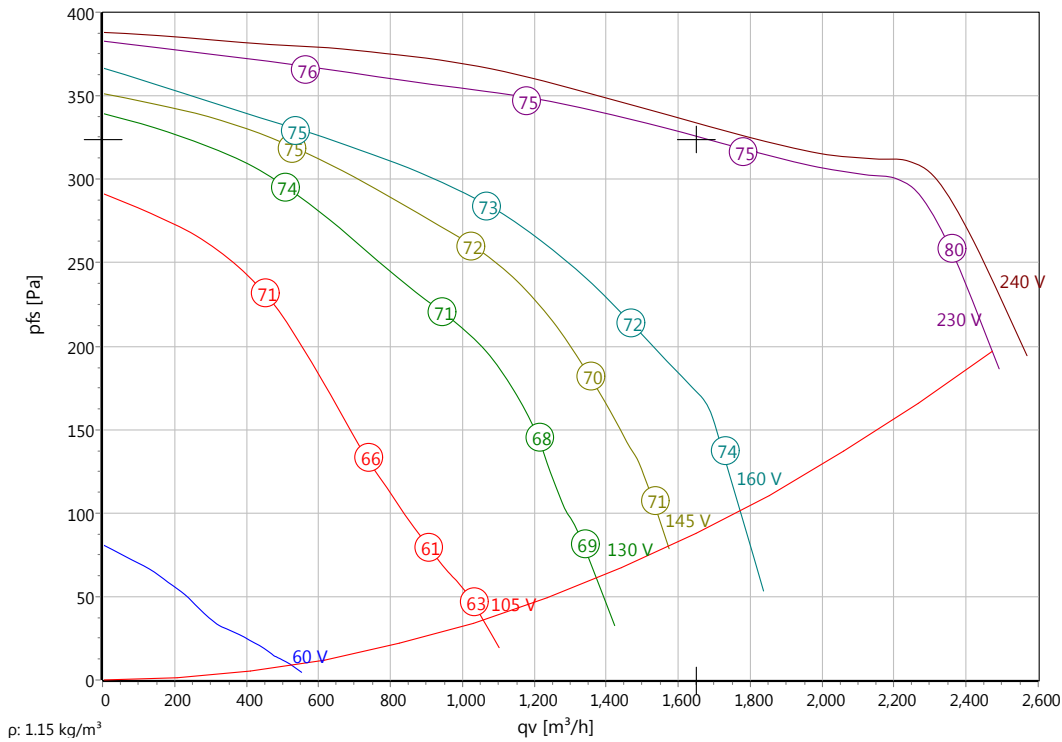


Type: K-AC224-K230-11

Part no.:



Curve:



ErP-Data:

(EU) Nr. 327/2011	(Lot11)
q_v	1335 m^3/h
p_{fs}	351 Pa
η_{fs}	41.4 %
P_e	0.43 kW
n	1335 r/min
N	50
v	4.57 m/s

Operating Point:

q_v	1650 m^3/h
p_{fs}	324 Pa
p_{fd}	19 Pa
$\eta_{e,fs}$	39 %
$\eta_{e,tot}$	41 %
P_e	0.387 kW
I	1.8 A
n	1344 r/min
$L_{W,B,OUT}$	75 dB
U	229 V
v	5.64 m/s
SFP	845 Ws/m^3
FEI	1.5

Intersections:

Curve	q_v [m^3/h]	p_{fs} [Pa]	P_e [kW]	I [A]	n_N [r/min]	$L_{W,B,OUT}$ [dB]
240 V	1671	333	0.402	1.81	1366	75
230 V	1654	326	0.388	1.82	1347	74
160 V	1391	231	0.293	1.92	1176	71
145 V	1298	201	0.263	1.93	1075	69
130 V	1170	163	0.23	1.9	972	67
105 V	870	91	0.164	1.71	734	61
60 V	426.5	22	0.058	1.08	358	46

Nominal Data:

U [V]	f [Hz]	C [μF]	P_e [kW]	I_N [A]	n_N [r/min]	t_R [$^{\circ}\text{C}$]	$p_{fs,min}$ [Pa]	I_A / I_N	IP	m [kg]
230	50	10	0.6	2.7	1190	-25 .. +40	220	1.7	IP 54	13

Sound Data:

Frequency	Σ	125Hz	250Hz	500Hz	1kHz	2kHz	4kHz	8kHz	Distances	1 m	0 m
$L_{w(B,in)}$ [dB]	74	-	68	69	65	65	63	60	$L_{p(B,in)}$ [dB]	67	-1
$L_{w(B,out)}$ [dB]	75	-	67	68	69	69	64	63	$L_{p(B,out)}$ [dB]	68	-1



Type: K-AC224-K230-11

Part no.:



Part no.

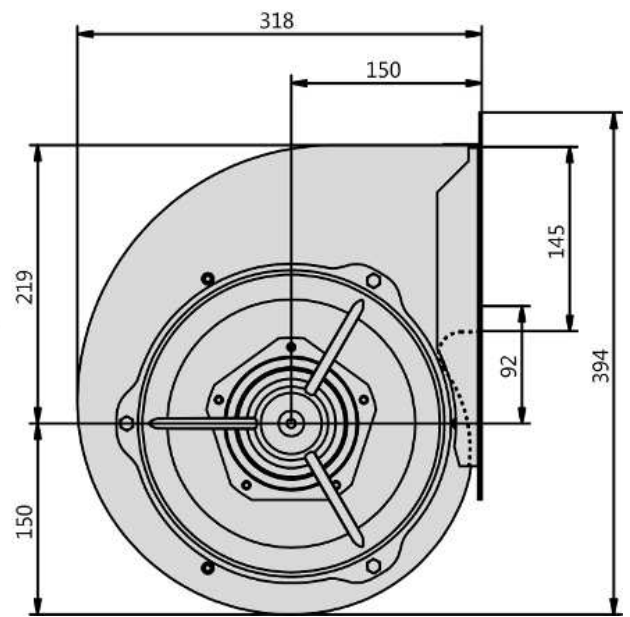
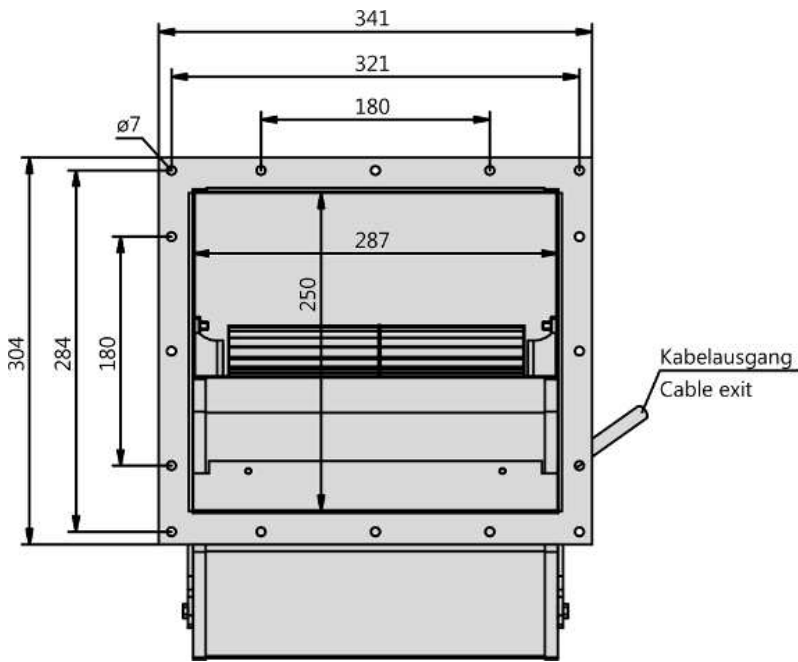
Name

Quantity



Type: K-AC224-K230-11

Part no.:





Type: K-AC224-K230-11

Part no.:

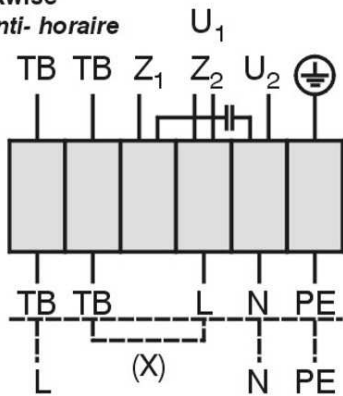


Einphasenwechselstrommotor mit Betriebskondensator und Thermostatschalter (TB). Bei Verwendung von RE Steuergeräten TB mit der Wicklung in Reihe schalten. Hierfür Brücke (x) einlegen und gestrichelt gezeichnete Anschlüsse belegen.

Single phase A.C. motor with operating capacitor and therostatic switch (TB). TB wired in series with windings if RE controllers are used. Insert bridge (x) and wire connections shon as dash-line on the drawing.

Moteur monophasé avec condensateur permanent et interrupteur thermostatique (TB) branché en série avec le bobinage en cas de branchement avec des régulateurs RE. Mettre un pont (x) et brancher toutes les connexions dessinées en hachuré.

Linkslauf
anti-clockwise
rotation anti-horaire



U₁ braun / brown / brun
U₂ blau / blue / bleu
Z₁ schwarz / black / noir
Z₂ orange / orange / orange

TB weiß / white / blanc
PE gelb-grün
yellow-green
jaune-vert

01.025

TK3-20003