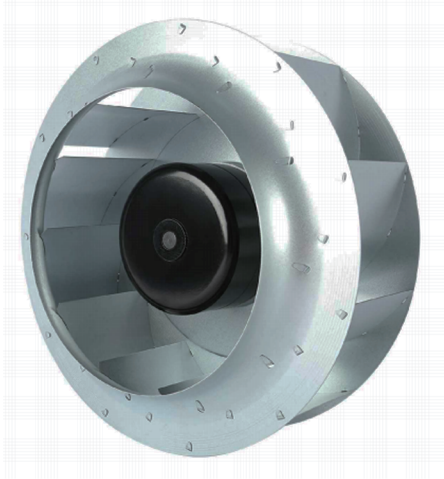




SPECIFICATION

MODEL
K-EC250-R230-35



EC Backward Curved

Impeller Material: Galvanized Metal Sheet

Motor Type: Brushless DC external rotor motor

Type of protection: IP44

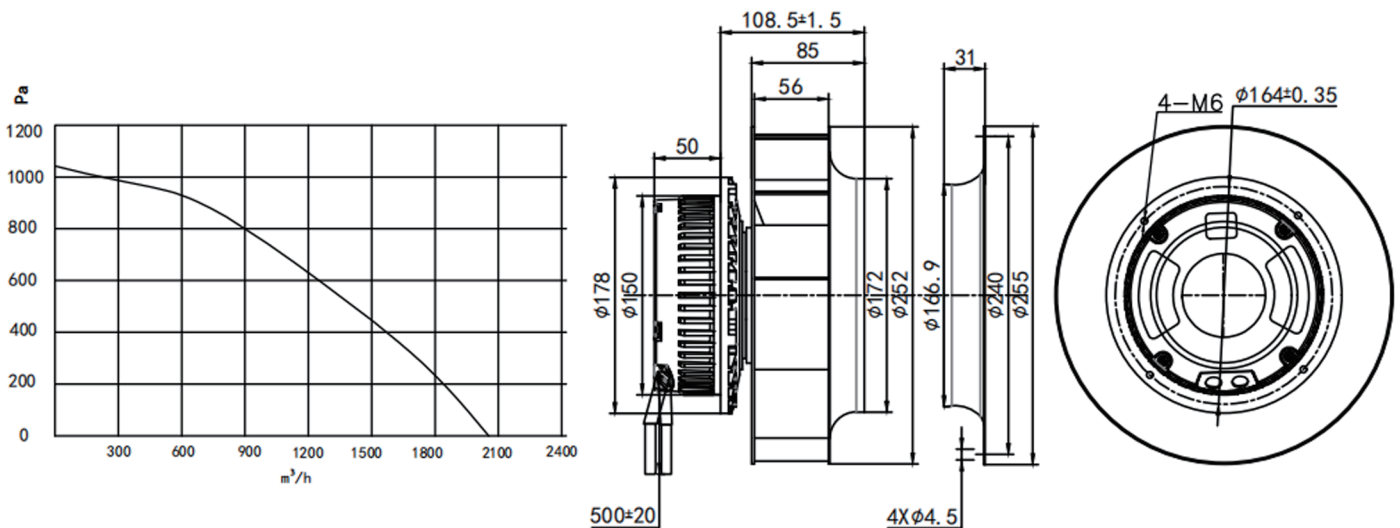
Insulation Class: B

Speed Control: 0-10VDC/PWM

Technical parameter:

Model	Rated Voltage	Frequency	Rated Current	Rated Power	Rated Speed	Air Flow	Air pressure	Noise Level	Perm. Amb. Temp.	Weight
Part NO.	VAC	Hz	A	W	RPM	m ³	Pa	dBA	°C	Kg
K-EC250-R230-35	230	50/60	1.53	355	3560	2060	1030	80	-25~+60	4.5

Outline drawing and Air flow:



AC Power Cable	colour	Brown	Blue	Y/G
	Function	L	N	PE
Function	colour	Blue	Yellow	White
	Function	+10V Output	GND	0-10VDC/PWM