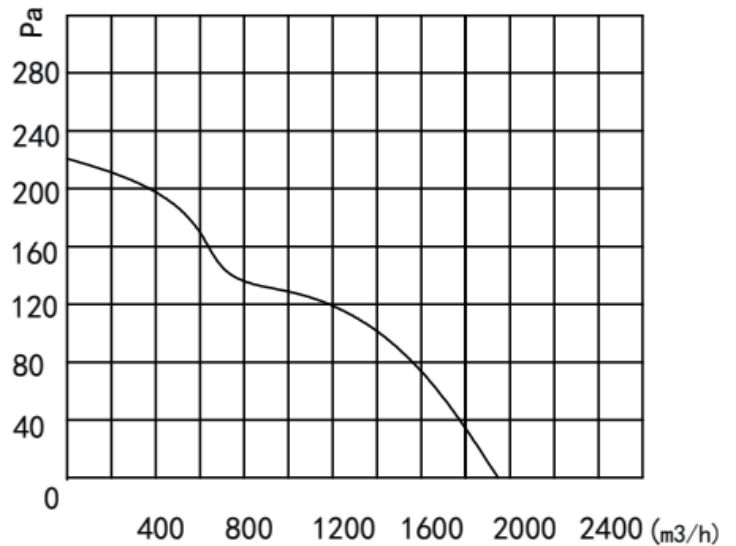




**SIZE: 280x280x80mm**

- Impeller Material: Metal Sheet
- Speed Control: 0-10VDC/PWM
- Motor Type: Brushless DC External Rotor Motor

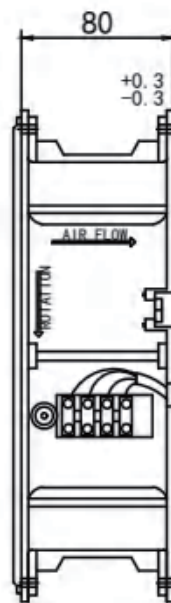
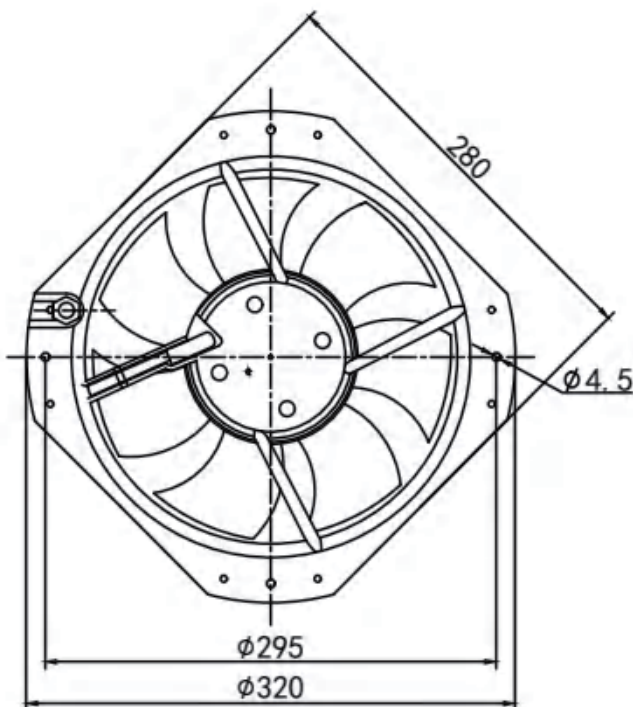


- Type Of Protection : IP44
- Insulation Class: B

### Technical parameter

Model Type	Rated Voltage (V)	Operating Frequency (V)	Rated Current (A)	Rated Power (W)	Rated Speed (RPM)	Air Flow (m³/h)	Air Pressure (Pa)	Noise Level (dB(A))	Perm.Amb. Temp. (°C)	Weight (Kg)
K-DC28080-A24-27	24	16~32	4.4	105	2780	1900	220	69	-25~+60	2.45
K-DC28080-A48-27	48	34~57	2.2	105	2780	1900	220	69	-25~+60	2.45

### Outline drawing



Colour	Function
Red	Vm:24/48VDC
Blue	GND
Yellow	0-10VDC/PWM
White	FG