

The logo for Krube, featuring the word "krube" in a bold, lowercase, sans-serif font. The letter "k" is black, and the "r" has a small orange dot above it. The "u" and "b" are black, and the "e" has a small orange dot above it. The logo is enclosed in a white circle with a blue border.

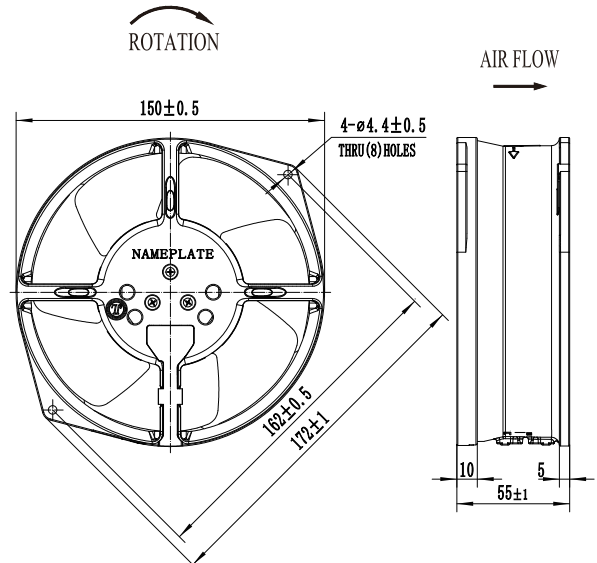
**krube**

# 规格书

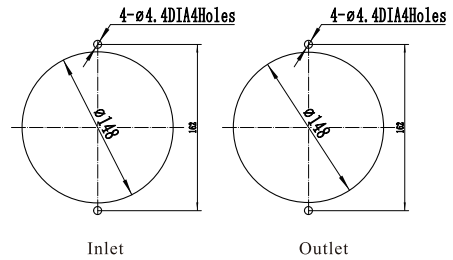
# SPECIFICATION

---

**MODEL**  
**K-AC17055HB2T**



尺寸 Size: 172mm × 150mm × 55mm  
 风量 Airflow: 250–293CFM  
 重量 Weight: 1200g  
 噪音 Noise: 56–61dB(A)  
 风叶 Impeller Material: Metal  
 外框 Frame: Aluminum Alloy  
 端子 Terminals: 0.5mm  
 引线 Lead Wire: Teflon 22#UL 1332(Optional)  
 马达 Motor: Capacitor-Run And External Rotor Induction Motor  
 温度范围 Operating Temperature: -10°C~+65°C



产品型号 Model	轴承型式 Bearing System	电压 Voltage VAC	频率 Freq. Hz	电流 Current A	功率 Power W	转速 Speed RPM	噪音 Noise dB(A)	风量 Air Flow CFM	相数 Phase	电容 Capacitor μF/VAC
K-AC17055HB1T	Ball	100/125	50/60	0.35/0.40	46/50	2850/3300	56/61	250/293	1	3.3/250
K-AC17055HB2T	Ball	200/240	50/60	0.20/0.22	46/50	2850/3300	56/61	250/293	1	1/500

