

The Krube logo is located in the top left corner, enclosed in a white circle with a blue border. The logo itself consists of the word "krube" in a bold, lowercase, sans-serif font, with a small orange and blue graphic element to the right of the letter 'e'.

**krube**

# SPECIFICATION

---

**MODEL**  
**K-AC133-R230-27**

## 1.Requirement of production standard and regulations

1.1 The product satisfy requirements

1.1.1 GB/T12350-2009 Safety Requirements for Small Power Motors

1.1.2 GB/T 5171.1-2014 "Small Power Motors - Part 1: General Techniques Conditions

1.1.3 JB/T 10563-2006 General Technical Requirements for General Purpose Centrifugal Fans

1.2 All material accord with RoHs

## 2.Environment requirements

2.1 Operating temperature and humidity

Operating temperature from -25°C- +60°C;Operating humidity from 0-95% RH

2.2 The altitude: ≤1000m

2.3 Storing temperature and humidity

Storing temperature from -40°C- +80°C;Storing humidity from 0-95%RH,and no corrosive gas exist.

## 3.Motor model: Single phase external rotor

3.1 Rated voltage:230±10% V

3.2 Rated frequency: 50/60Hz

3.3 Capacitor: 1μF/450VAC

3.4 Mode of operation: S1

3.5 Insulation Class: B

3.6 Pole: 2P

3.7 Rotation Direction: CW (From rotor)

3.8 Protection: The motor with heat protection,cut off temperature:125±5°C,replacement temperature:95±15°C.

3.9 Bearing: Maintenance free ball bearings

3.10 IP degree: IP44

3.11 Runout of impeller: (In axial and radial direction) ≤1mm

3.12 Weight: 0.73kg

3.13 Balancing degree: G6.3

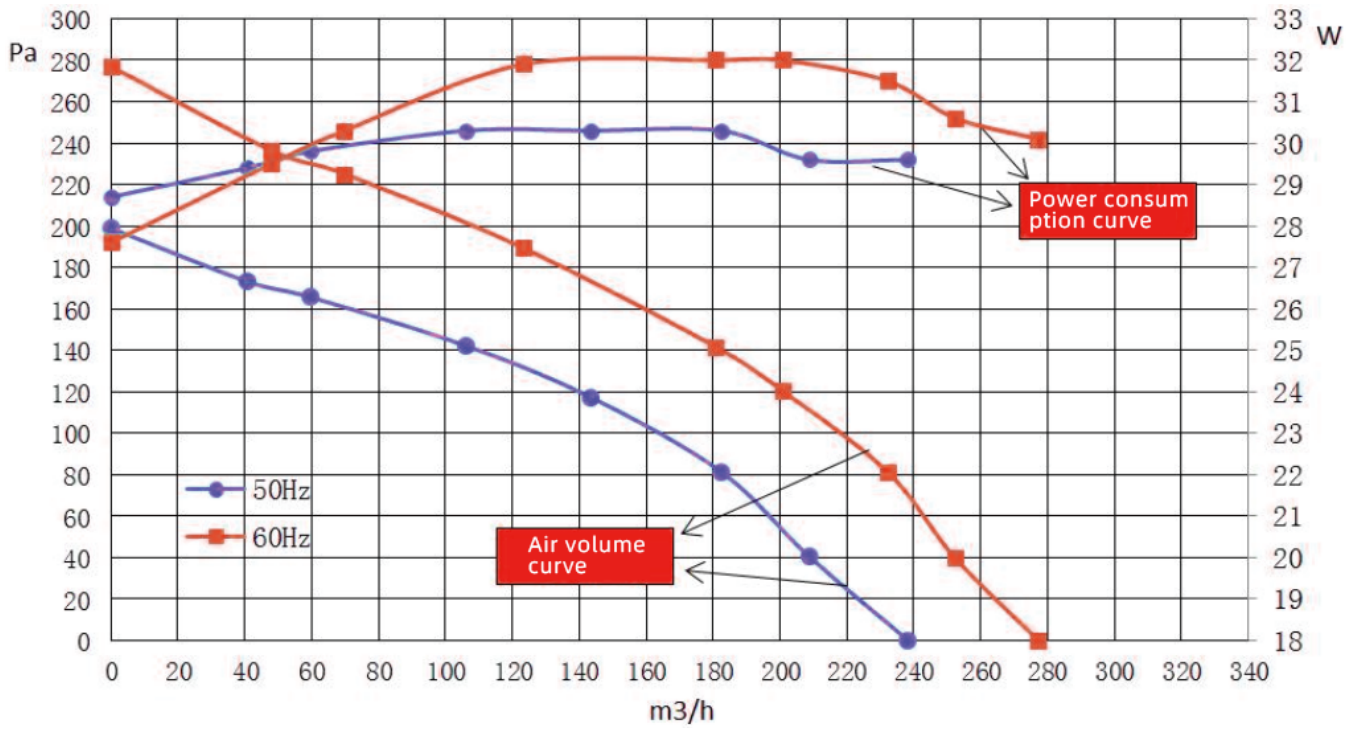
3.14 Operation life: By normal operation, more than 30K hours(Rated voltage,temperature40 °C ,full speed Operating).

## 4.Fan performance

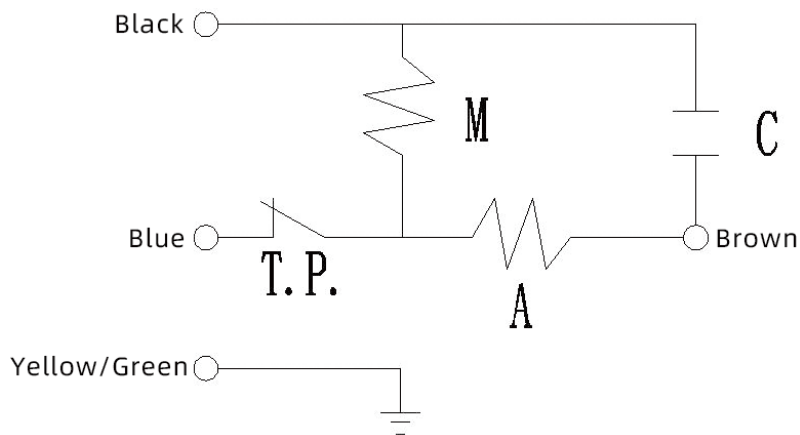
4.1 Rating Data (Free Air)

Voltage	Frequency	Capacitor	Current	Input power	Speed	OPa Air flow	Noise
V	Hz	μF	A	W	r/min	m <sup>3</sup> /h	dB(A)
230	50	1	0.14	29.6	2700	238	55
230	60	1	0.13	30.1	3135	277	58

## 4.2 Performance Curve



## 5. Wiring diagram



## 6. Outline drawing

