

The logo for Krube, featuring the word "krube" in a bold, lowercase, sans-serif font. The letter "k" is black with a small orange dot above it. The letter "e" is black with a small blue dot above it. The logo is enclosed in a white circle with a blue border.

**krube**

# SPECIFICATION

---

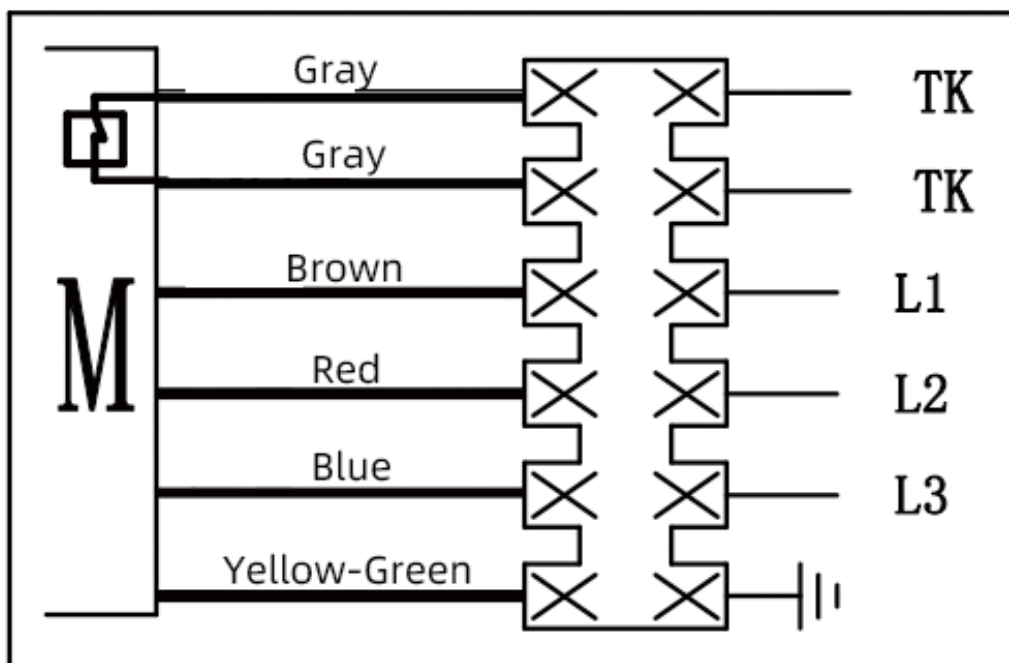
**MODEL**  
**K-AC630-S380-18M**

## 1. Technical requirements

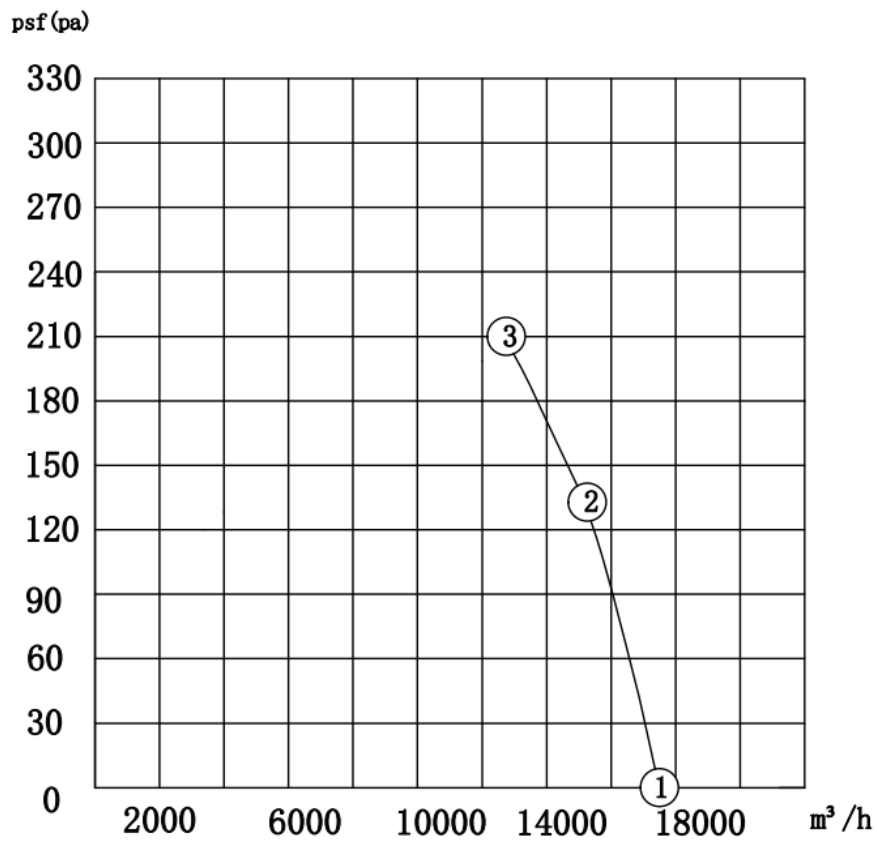
1. All components of the fan should be correctly assembled, and the surface should be free of oil or dirt, and there should be no obvious distortion or deformation, mechanical damage and other defects.
2. The fan shall rotate flexibly without jamming, abnormal sound during operation, and there shall be no undesirable phenomena such as rubbing of the stator and rotor.
3. The safety requirements of the fan shall be implemented in accordance with GB12350-2009, and the electrical strength shall be  $1800V \cdot S$ ;  
The insulation resistance under normal temperature shall not be less than  $100M \Omega$ .
4. Motor insulation level, CLASS F.
5. The motor protection level is IP54, and the fan protection level is IP2X.
6. After counterweight, the unbalance at  $1404 \pm 10\%$  r/min shall be  $\leq G6.3$   
Fan vibration value  $\leq 5.4mm/s$ .
7. Sickle and Seven Leaves. 630 concave mesh cover N100T6.
8. External thermal protector.

## 2. Working Conditions

- 1) Voltage and frequency:  $3\sim 380V \pm 5\%$ , 50Hz.
- 2) Outlet conditions: with junction box, recommended outlet specification, not less than  $1.0 m^2$ .
- 3) Ambient temperature:  $-40\sim 50^\circ C$ .
- 4) Installation method: vertical installation or end cover upward installation.

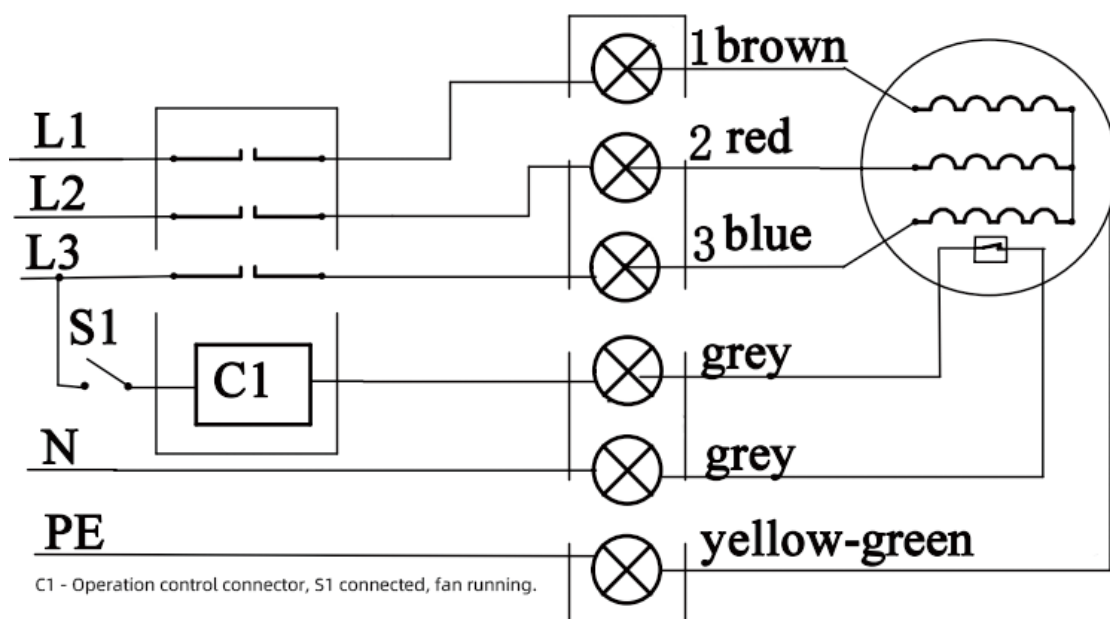


## 3. Air volume curve and parameters



	Static pressure (Pa)	Current (A)	Power (W)	Speed (r/min)	Air flow (m³/h)	Remarks
①	0	3.97	1868	1421	17512	
②	131	4.30	2175	1404	14903	
③	207	4.48	2331	1395	12233	MAX.EFF

## 4. Connection diagram



## 5.Outline drawing

