

The Krube logo is located in the top left corner, enclosed in a white circle with a blue border. The logo itself consists of the word "krube" in a bold, lowercase, sans-serif font, with a small orange and blue graphic element to the right of the 'e'.

krube

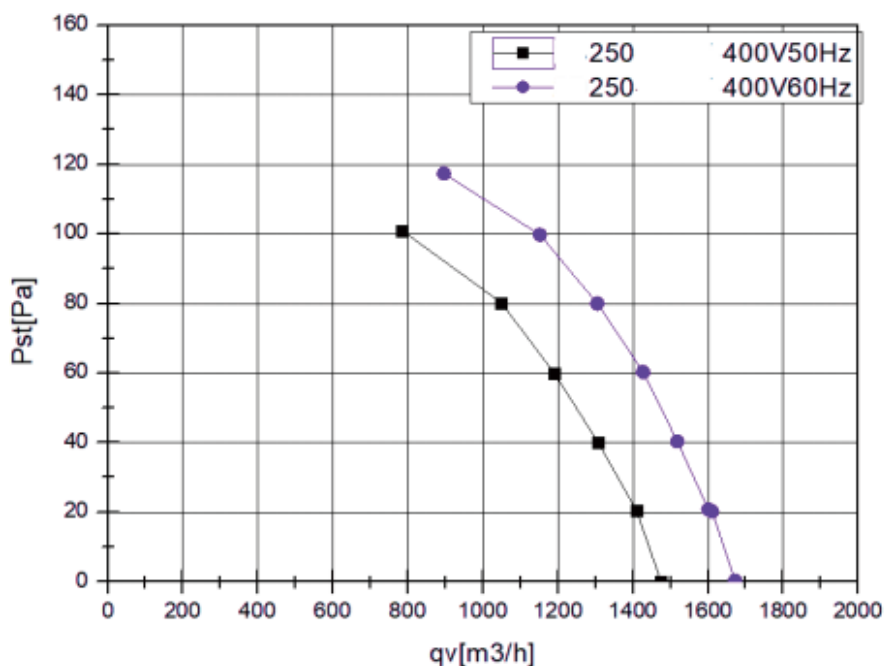
SPECIFICATION

MODEL
K-AC250-S400-28

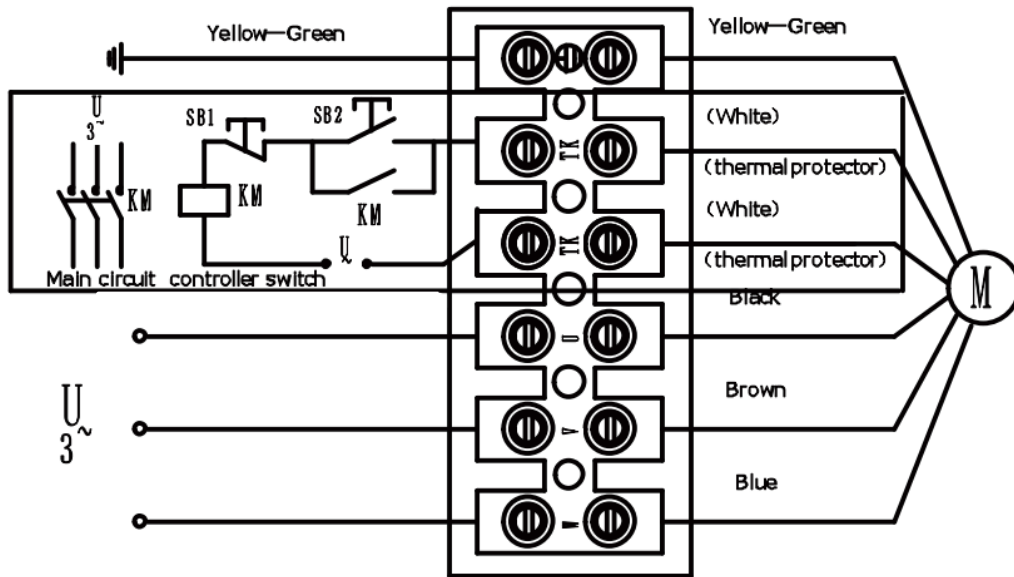
1. Technical data

Unit	Axial Fan Motor
Motor	Three Phases Motor
Voltage(V)	400
Frequency(Hz)	50/60
Input Power(W)	110/150
Current(A)	0.23/0.25
Speed(r/min)	2700/3000
Air Flow(m ³ /h)	1409/1611
Noise(dB-A)	61/62
Capacitor(μF/450V)	/
Rotation	CW ,Looking Into The End-Shield
Insulation Class	F
Motor Protection	Thermocontact 150±5°C
Temperature Rise	75K Max
Type of Protection	IP54
Operating Type	S1 continuous working system
Ambient Temperature	-30°C+60°C
Bearings	Ball Bearings
Mounting Type	Horizontal Or Vertical
Electrical Connection	Lead Wire Rv-904G 0.50mmz+2G 0.30mmz, Length 390mm
Net Weight/Gross Weight	3.0/3.5kg
Packing	29.0*29.0*16cm

2. Air volume curve



3.Wiring diagram



4.Outline Drawing

