

The Krube logo is located in the top left corner, enclosed in a white circle with a blue border. The logo itself consists of the word "krube" in a bold, lowercase, sans-serif font, with a small orange and blue graphic element to the right of the 'e'.

krube

SPECIFICATION

MODEL

K-AC450-S230-14M-A

1. Working conditions

1.1 Voltage and frequency: 1 ~230 V \pm 5%50Hz;

1.2 Ambient temperature: - 40~80°C.

1.3 Installation method: vertical installation or end cover upward installation.

2. Technical requirements

2.1 All parts of the fan should be assembled correctly, and there should be no oil or dirt on the surface. No obvious distortion, mechanical damage and other defects.

2.2 The fan rotates flexibly, without stagnation, without abnormal sound during operation, and without edge rubbing of the stator and rotor.

2.3 The fan safety requirements shall be implemented according to GB12350-2009, and the electric strength shall be 1500V · min; the insulation resistance shall not be less than 100M Ω at room temperature.

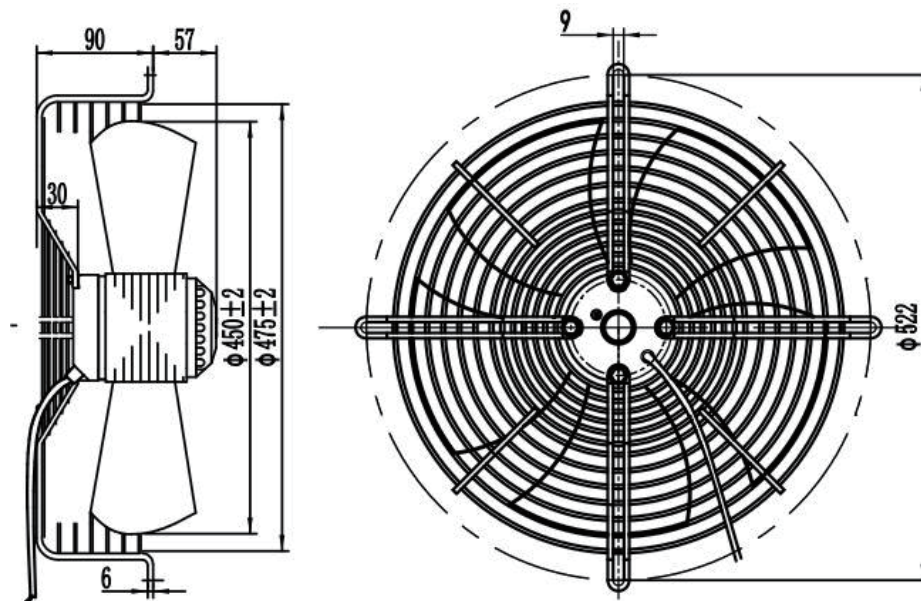
2.4 Motor insulation class, CLASS F.

2.5. Motor protection grade IP54, fan protection grade IP2X.

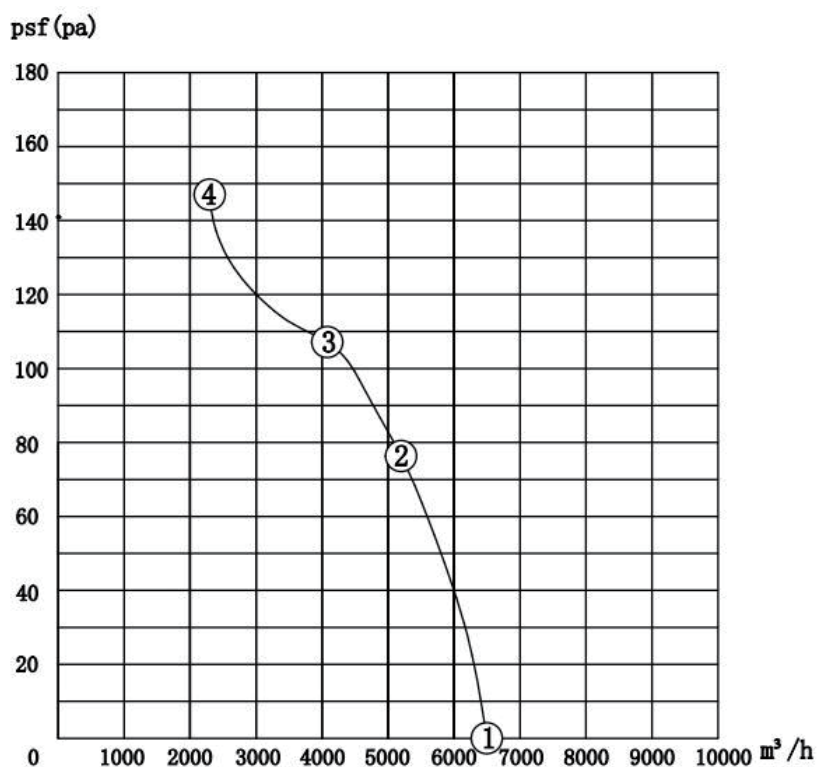
2.6. The unbalance of the dynamic balance after counterweight at $1397 \pm 10\%/r/min \leq C6.3$, and the vibration value of the fan $\leq 5.4mm/s$.

2.7.450 concave mesh cover N90T12.

3. Product Outline



4. Curves

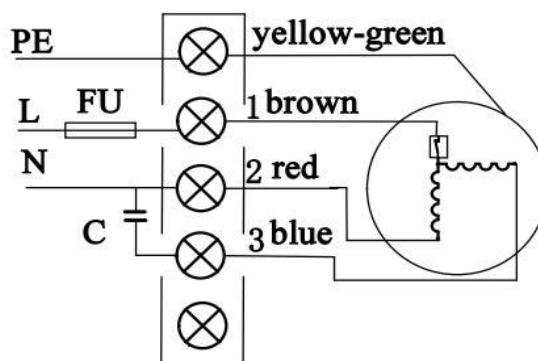


Fan key performance parameters

	Static pressure	Current	Power	Speed	Air Flow	Notes
	(Pa)	(A)	(W)	(r/min)	(m³/h)	
①	0	2.08	456	1410	6547	
②	76	2.29	504	1395	5199	
③	108	2.36	521	1387	4179	
④	147	2.76	607	1356	2311	

5. Connection

Wiring schematic diagram



External Wiring Diagram

