

The logo for Krube, featuring the word "krube" in a bold, lowercase, sans-serif font. The letter "k" is black with a small orange dot above it. The letter "e" is black with a small blue dot above it. The logo is enclosed in a white circle with a blue border.

**krube**

# SPECIFICATION

---

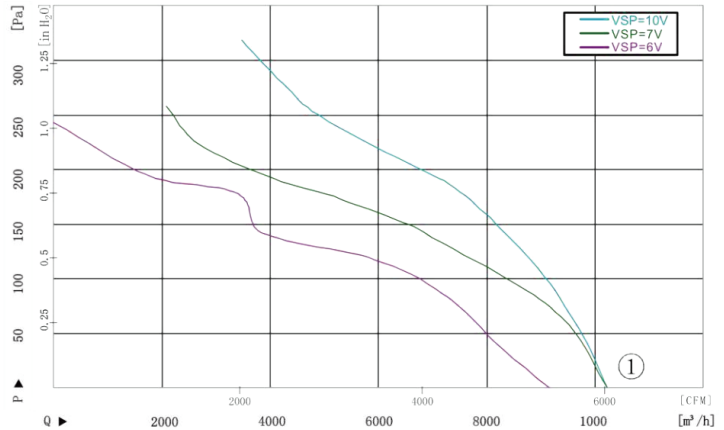
**MODEL**  
**K-EC500-S380-16**

## 1.Product parameters



- Material: PA66
- Type of protection: IP44
- Insulation class: B

Air volume curve



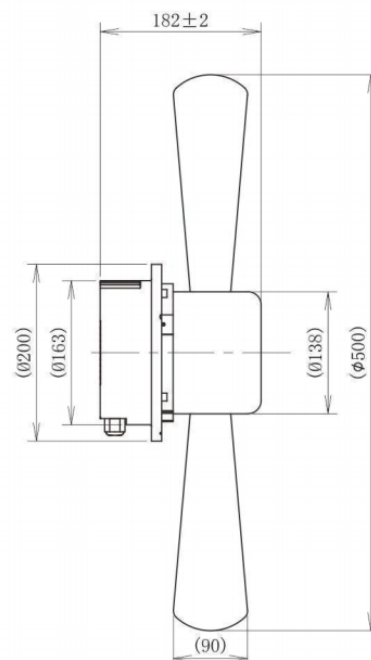
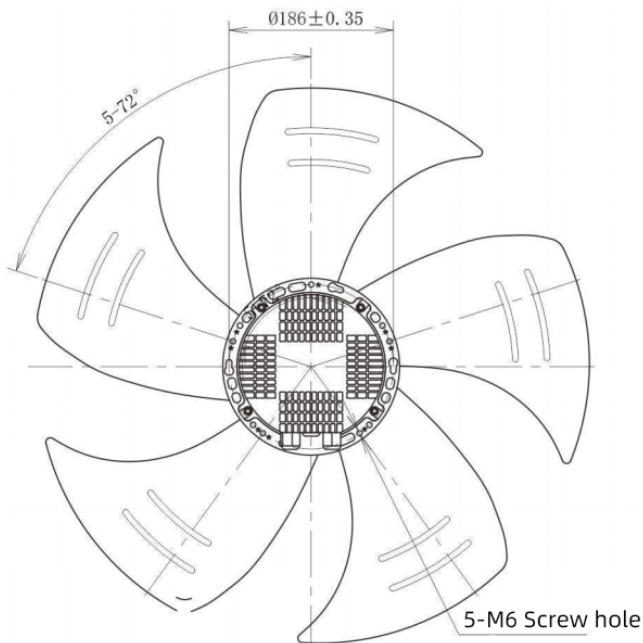
Type	Curve	Nominal voltage [VAC]	Frequency [Hz]	Speed [RPM]	Power input [W]	Current draw [A]	Sound pressure level [dB]	Perm.amb. temp. [°C]
K-EC500-S380-16	①	3~380	50/60	1690	850	1.5	78	-25~+60

## 2.Wiring instructions

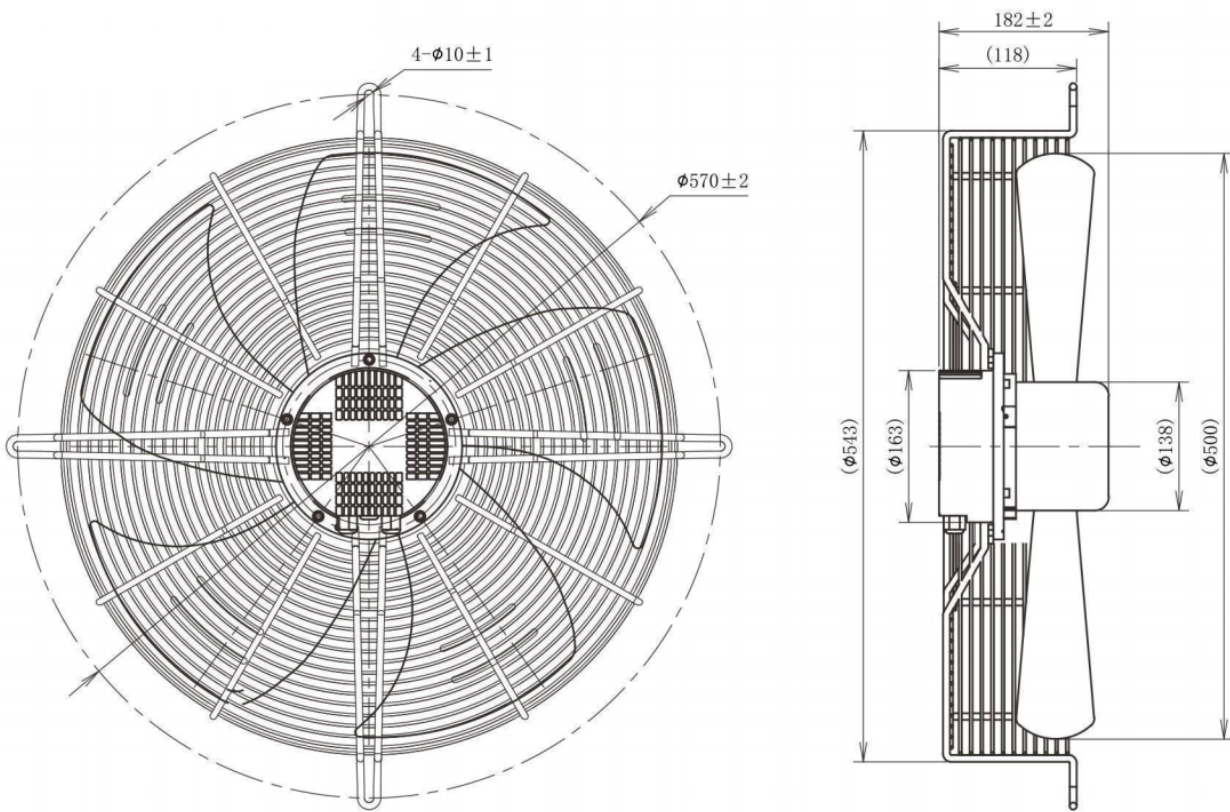
Signal	Color	Spec
L1	Black	AC380V 50/60Hz
L2	Black	AC380V 50/60Hz
L3	Black	AC380V 50/60Hz
PE	Yellow/Green	Earth

Signal	Color	Spec
VCC	Red	DC10V export
VSP	Yellow	0-10VDC/PWM
GND	Blue	GND
FG	White	12 Pulse/R

## 3.Dimensions



## 4. With wal lconcave net cover grill



## 5. With wind guide panel

