

The logo for Krube, featuring the word "Krube" in a bold, black, sans-serif font. The letter "K" is stylized with a small orange and blue graphic element. The logo is enclosed in a white circle with a blue border, which is part of a larger blue and white abstract graphic design on the left side of the page.

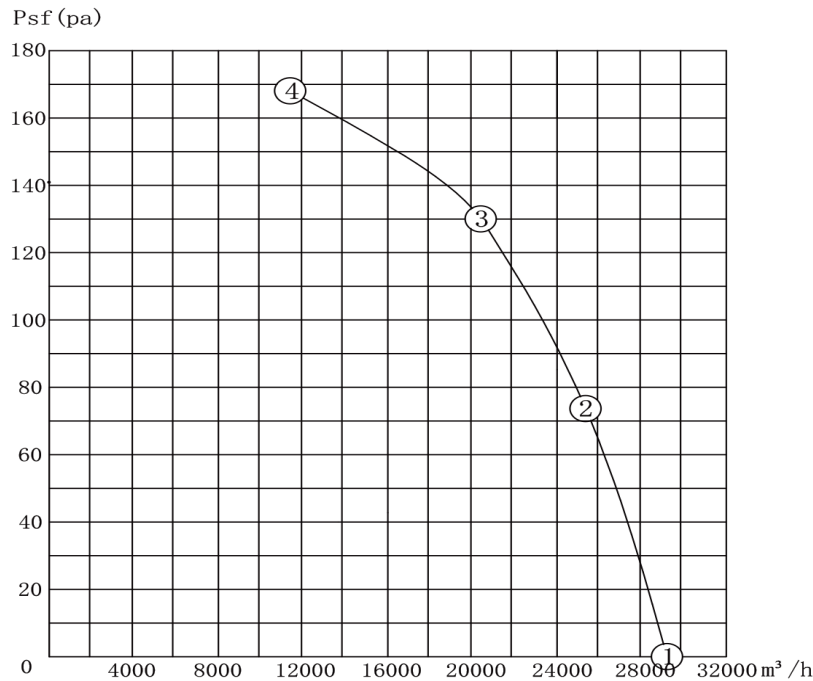
Krube

SPECIFICATION

MODEL
K-AC910-S380-08

Conditions of Use

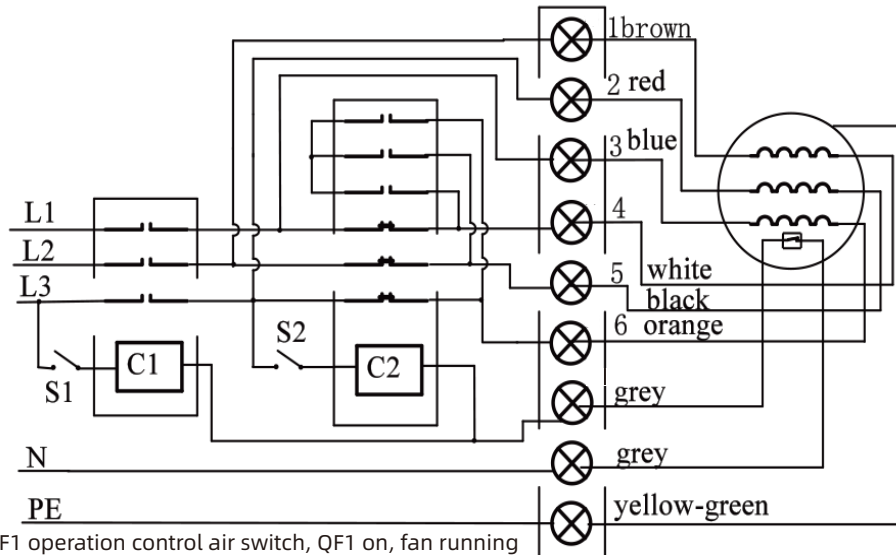
- 1.Voltage and frequency: 3-380 V \pm 5%, 50 Hz.
- 2.Outgoing line conditions: with an auxiliary box, the recommended specification of the outgoing set is not less than l_ mm
- 3.Ambient temperature: -40~50°C
- 4.Installation method: vertical installation or end cover upward installation.



Note: The performance of the fan is measured by using the Mal wind deflector and converted to the standard atmospheric pressure of 20 °C

Technical requirement

1. All parts of the fan shall be correctly assembled, and the surface shall be free of oil stain or dirt, obvious distortion, mechanical damage and other defects.
2. The fan shall rotate flexibly without clamping stagnation, abnormal sound during operation, and rubbing of stator and rotor.
3. The safety requirements of the fan shall comply with GB12350-2009, and the electrical strength shall be 1800V - S; The insulation resistance under normal temperature shall not be less than 100MQ.
4. Motor insulation class, CLASS F
5. Motor protection grade IP54, fan protection grade IP2X
- 6.The dynamic balance after the counterweight is $920 \pm 10\%$ r/min, the unbalance is $\leq G6.3$, and the fan vibration value is ≤ 5.4 mm/s.
- 7.900 concave mesh cover N186-M138.
8. External thermal protector.



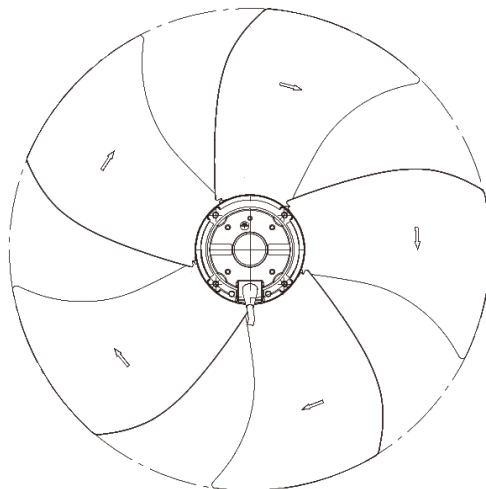
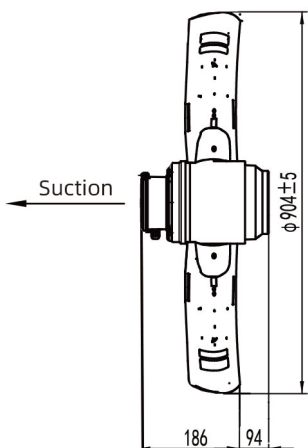
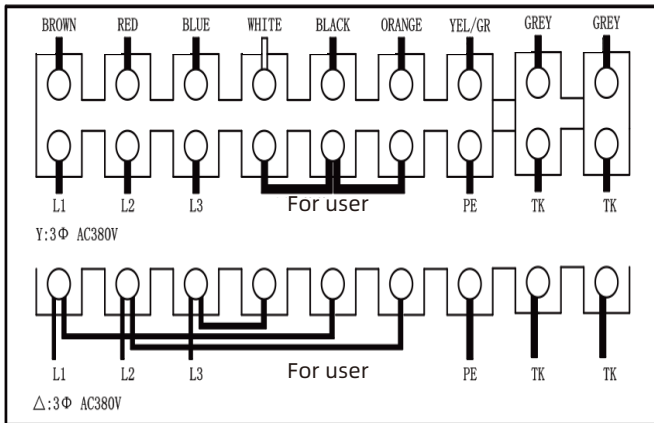
QF1 operation control air switch, QF1 on, fan running
 CF-Y/ Δ operation control contactor, S1 disconnected, Δ connected;S1 connection, Y connection

Performance parameters of key points of fan

	static pressure	Electric current	Power	Speed	Flow	Remarks
	Pa	A	W	R/min	M ³ /h	
①	0	4.5	2207	907	29286	
②	73	4.83	2445	895	25538	
③	130	4.98	2579	886	20437	Maximum efficiency
④	168	5.01	2565	885	11382	Maximum flow

Free state test data

Connection	Voltage (V) $\pm 5\%$	frequency (HZ)	Power (W) $\pm 10\%$	Electric current (A) $\pm 10\%$	Speed (r/min) $\pm 10\%$	Noise db (A)
	3~380	50	2400	4.8	980	77



Marks

Krube Three phase external rotor axial flow fan
 Model/Specification (Type) : K-AC910-S380-08
 Voltage/frequency (U/f) : 3 ϕ 380/50Hz
 Net weight/gross weight (N.w/G.w) :
 Length X Width X Height (cm) : 99X99X31
 Date of manufacture:
 Product No:
 Remarks:

Trademark

Krube K-AC910-S380-08 3~380V/50HZ
 2579W 4.98A 886r/min @ 130pa CL.F IP54 2022/8