

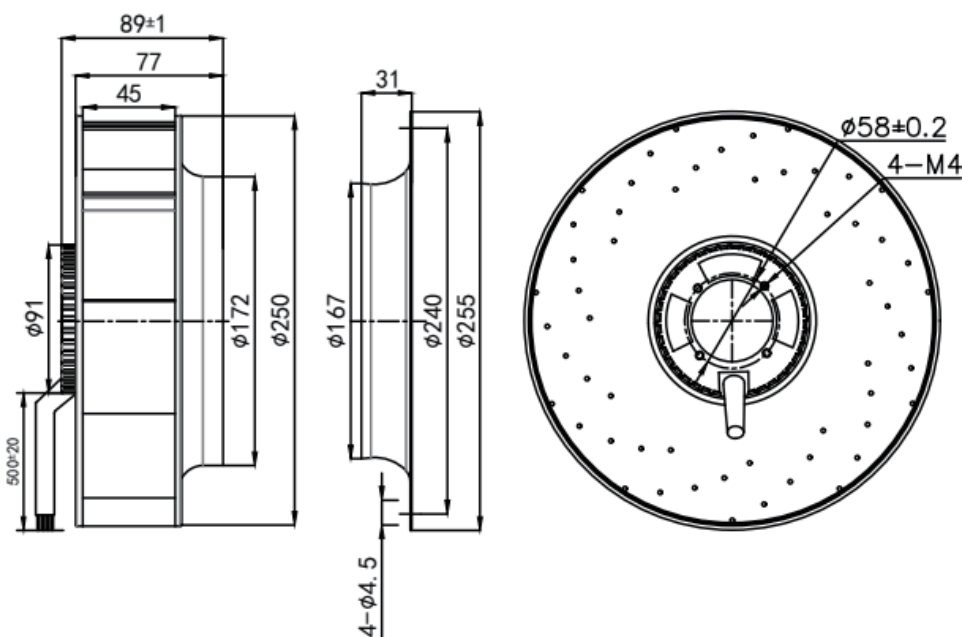
SIZE: ϕ 250mm

- Impeller Material: PA6+GF
- Speed Control: 0-10VDC/PWM
- Motor Type: Brushless DC External Rotor Motor
- Type Of Protection : IP44
- Insulation Class: B

Technical parameter

Model Type	Rated Voltage (V)	Operating Frequency (V)	Rated Current (A)	Rated Power (W)	Rated Speed (RPM)	Air Flow (m³/h)	Air Pressure (Pa)	Noise Level (dB(A))	Perm.Amb. Temp. (°C)	Weight (Kg)
K-DC250-R24-26	24	16~32	5.2	124.8	2650	1000	550	73	-25~+60	1.6
K-DC250-R48-26	48	34~57	2.6	124.8	2650	1000	550	73	-25~+60	1.6

Outline drawing



Colour	Function
Red	Vm:24/48VDC
Blue	GND
Yellow	0-10VDC/PWM
White	FG