

DC Axial

SIZE/尺寸：120X120X32mm

General Specifications (一般規格)

Motor : DC Brushless motor

馬達：直流單向無刷馬達

Frame : plastic(94V-0)

材料：框：塑料 (94V-0)

Impeller : plastic(94V-0)

材料：葉：塑料 (94V-0)

Bearing : Ball bearing

軸承：滾珠軸承

Weight : 230g

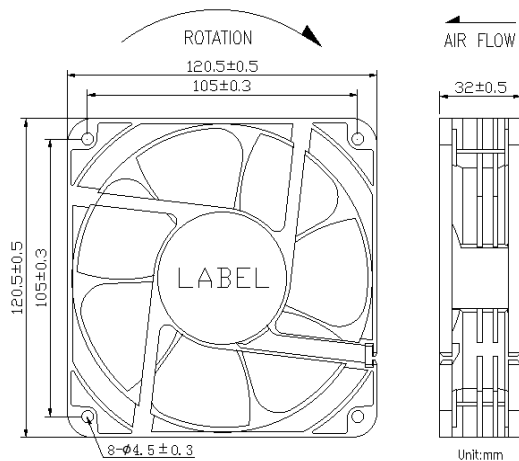
重量：230克



Major Characteristic Parameters 主要參數

Model	Bearing	Voltage	Operating Vol.	Current	Speed	Max Air Flow		Max Static Pressure		Sound
機型	軸承	電壓	操作電壓	電流	轉速	最大風量		最大風壓		噪音
Part NO.	B / F / S	V	V	A	RPM	m3/min	CFM	mm-H ₂ O	In-H ₂ O	dBA
K-DC12032-A12-23	B	12	7.0~13.2	0.30	2300	2.14	75.60	5.10	0.21	38
K-DC12032-A12-26	B	12	7.0~13.2	0.40	2600	2.42	85.40	6.50	0.27	40
K-DC12032-A12-29	B	12	7.0~13.2	0.48	2900	2.70	95.20	8.10	0.33	42
K-DC12032-A12-32	B	12	7.0~13.2	0.58	3200	2.97	105.00	9.80	0.40	44
K-DC12032-A12-40	B	12	7.0~13.2	0.80	4000	3.72	131.20	15.30	0.62	49
K-DC12032-A24-23	B	24	14.0~26.4	0.15	2300	2.14	75.60	5.10	0.21	38
K-DC12032-A24-26	B	24	14.0~26.4	0.20	2600	2.42	85.40	6.50	0.27	40
K-DC12032-A24-29	B	24	14.0~26.4	0.23	2900	2.70	95.20	8.10	0.33	42
K-DC12032-A24-32	B	24	14.0~26.4	0.28	3200	2.97	105.00	9.80	0.40	44
K-DC12032-A24-40	B	24	14.0~26.4	0.40	4000	3.72	131.20	15.30	0.62	49
K-DC12032-A48-23	B	48	28.0~56.0	0.08	2300	2.14	75.60	5.10	0.21	38
K-DC12032-A48-26	B	48	28.0~56.0	0.10	2600	2.42	85.40	6.50	0.27	40
K-DC12032-A48-29	B	48	28.0~56.0	0.12	2900	2.70	95.20	8.10	0.33	42
K-DC12032-A48-32	B	48	28.0~56.0	0.15	3200	2.97	105.00	9.80	0.40	44
K-DC12032-A48-40	B	48	28.0~56.0	0.20	4000	3.72	131.20	15.30	0.62	49

Drawing & panel out-cuts 圖面及出入風口



Characteristic Curves 特性曲線

