



# SPECIFICATION

---

**MODEL**  
**K-AC280-R380-27**

### 1.0 Introduction

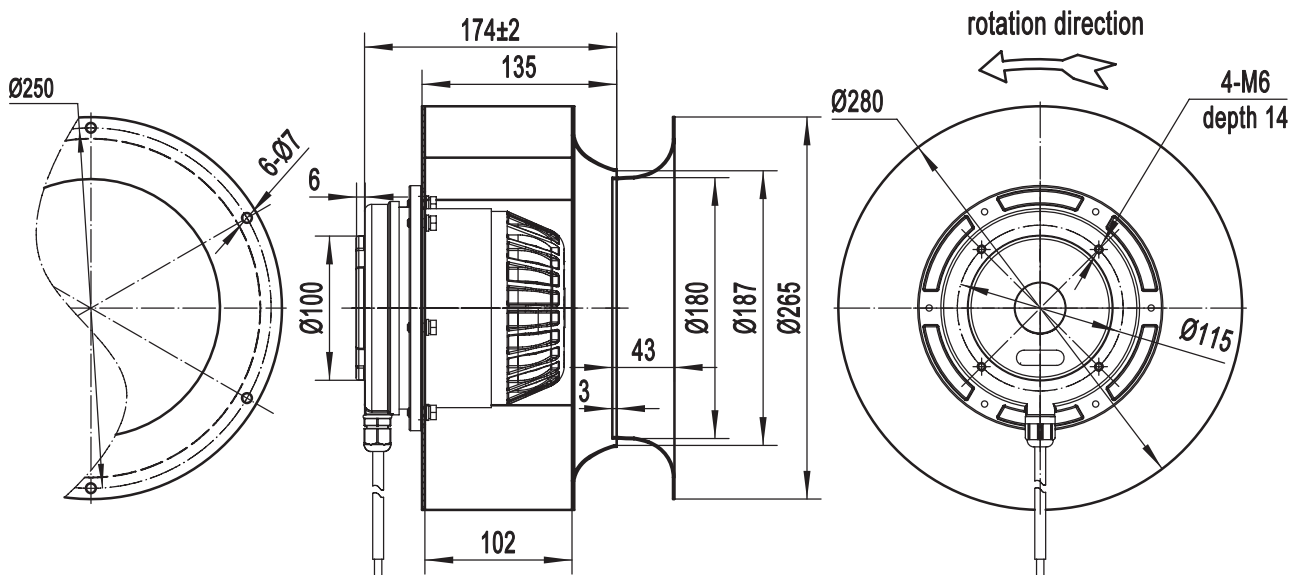
This specification describes the standard 、 operation environment、 and technic requirements of the product.

### 2.0 Requirement of production standard and safety regulations

All material accord with RoHS.

### 3.0 Mechanical requirements

#### 3.1 Dimension drawing



#### 3.2 Material

Impeller material:ALMG5052, Rotor: Aluminum Casting

#### 3.3 Motor

External rotor AC motor

#### 3.4 Bearing

Maintenance free ball bearings

#### 3.5 Balancing

At the rated voltage and frequency, the residual unbalance of the fan is not less than G6.3 (balancing precision grade) in each plane,according with JB/T9101.

#### 3.6 Vibration of the fan

Vibration speed virtual value of fans accord with JB/T8689.

#### 3.7 Runout of impeller

Runout of impeller in axial and radial direction  $\leq 1.0\text{mm}$ .

### 3.8 Life time

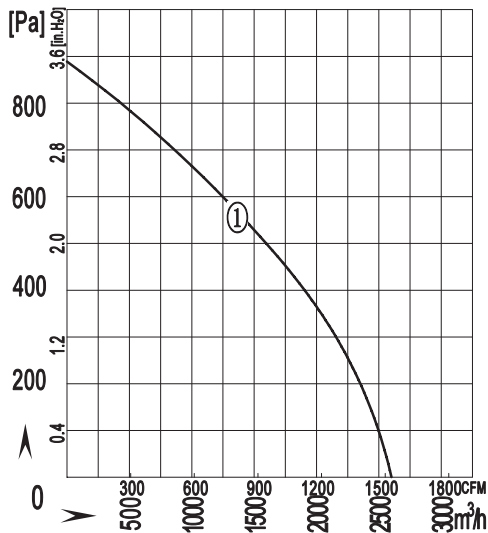
Fan life expectancy 30000 hours, determined when at nominal supply voltage, running at full speed, environment temperature of 20 °C.

## 4.0 Fan performance

### 4.1 Performance data

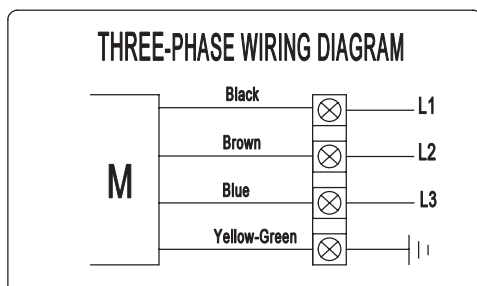
Model No.	Voltage	Frequency	Current	Input Power	Speed	Capacitor	Air Flow	Noise	Operating Temperature	Curve No.	Approvals
	V	Hz	A	W	rpm	μ F	m <sup>3</sup> /h/CFM	dB(A)	Min / Max(°C)	#	
K-AC280-R380-27	380/400	50	0.95	500	2750	/	2600/1529	78	-30 / +60	①	

### 4.2 Performance curve



## 5.0 Electrical performance

### 5.1 Wiring diagram



## 5.2 Voltage range

The fan is designed to operate at a nominal voltage of 380V but can be operated in the AC supply voltage range of 342 to 418 V.

## 5.3 Protection

This motor with heat protection, cut off temperature: 150—160°C, replacement temperature 100—130°C

## 5.4 Type of protection

Type of protection is IP54.

## 5.5 Insulation Class: F

## 6.0 Operating and storing environment requirements

### 6.1 Operating environment requirements

Operating temperatures from: -30°C~+60°C

Operating humidity from: 0%~95% RH

The altitude: ≤1000m

### 6.2 Storing environment requirements

Storing temperatures from -10°C to +40°C; Storing humidity from 0% to 75% RH.

## 7.0 Packaging and marks

### 7.1 Packaging

Bubble chamber packaging

### 7.2 Marks

Markings: Name of manufacturer, type of fan, date of manufacture, weight, Size etc.

## 8.0 Other requirements on accessory

### 8.1 Capacitor

Yes,  No,  For Salers' request;

### 8.2 Annectent parts

terminal( Yes,  No)