

The logo for Krube, featuring the word "krube" in a bold, lowercase, sans-serif font. The letter "k" is black with a small orange dot above it. The letter "e" is black with a small blue dot above it. The logo is enclosed in a white circle with a blue border.

krube

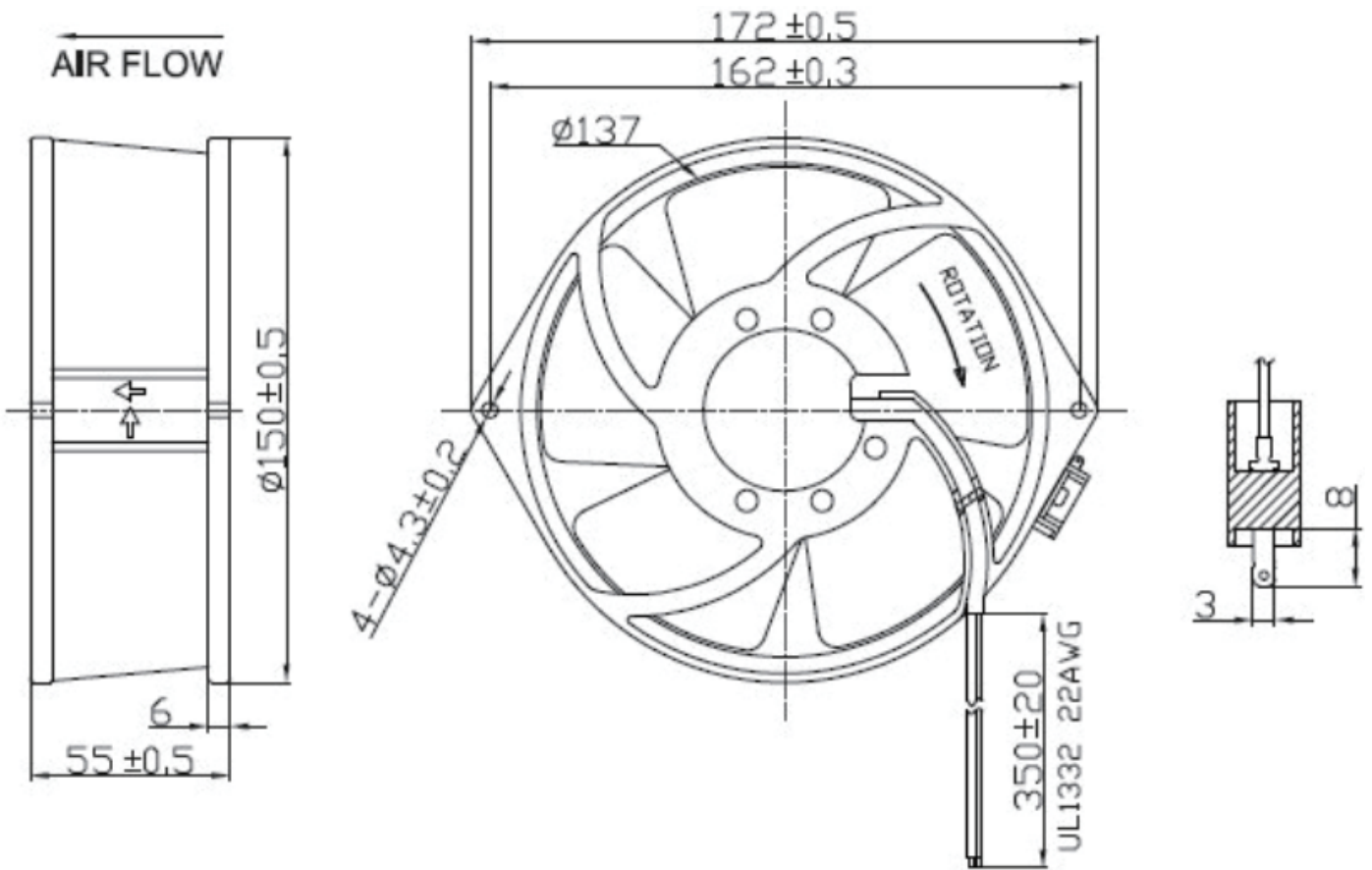
SPECIFICATION

MODEL
K-AC15055-A230-31

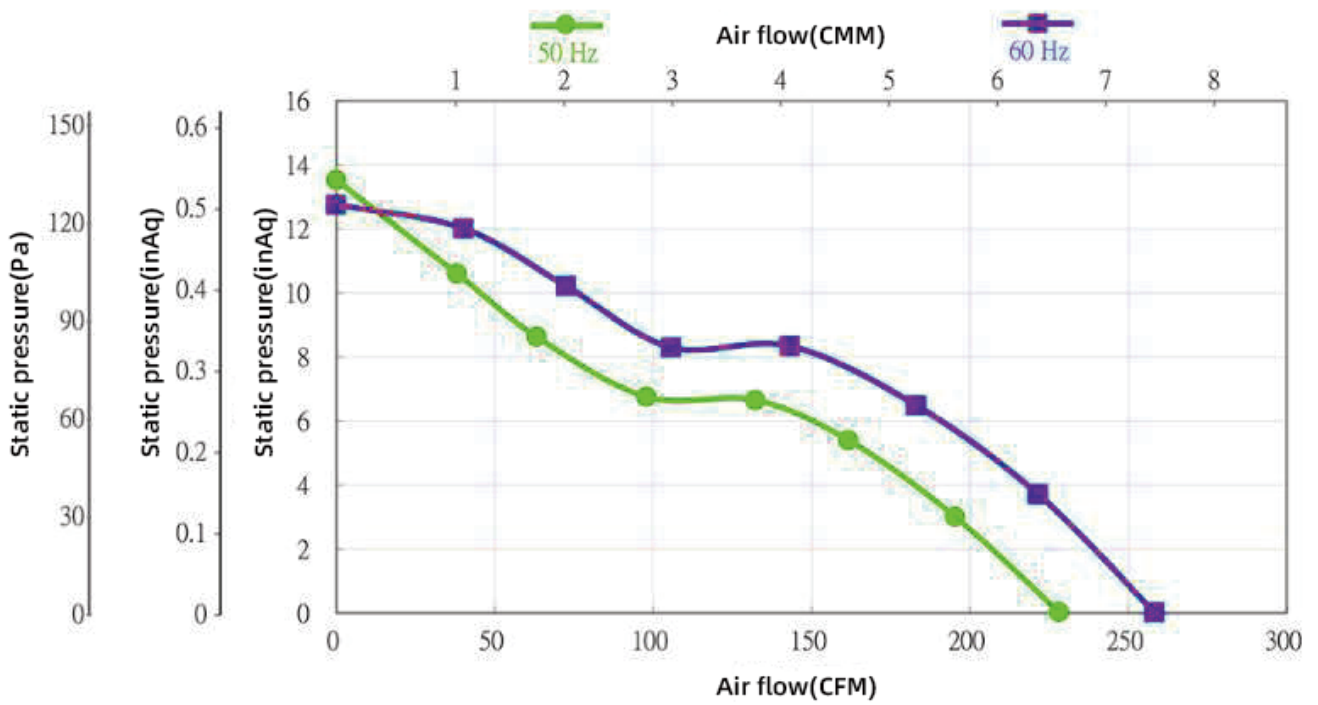
1.Technical data

MODEL	K-AC15055-A230-31
Rated Voltage	AC230V
Voltage Range	AC207-253V
Speed(Rpm)	50Hz 2750Rpm \pm 10%
	60Hz 3150Rpm \pm 10%
Rated Current	50Hz 0.27A \pm 10%
	60Hz 0.25A \pm 10%
Rated Input	50Hz 44W \pm 10%
	60Hz 44W \pm 10%
Locked Current	50Hz 0.44A \pm 10%
	60Hz 0.38A \pm 10%
Max. Air Volume	50Hz 225 \pm 10% CFm
	60Hz 225 \pm 10% CFm
Max. Static Pressure	50Hz 0.50 \pm 10% inH2O
	60Hz 0.50 \pm 10% inH2O
Operating Temp.	-40°C~+90°C
Max . Operating Humi Dity	85%
Storage Temp.	-40°C~+90°C
Rotating Direction	Clockwise Direction
Blowing Direction	Air Intake Over Struts
Insulation Resistance	Dc 500 V 100M Ω
Dielectric Strength	Ac 1500V / 1Min
Noise	50Hz 58 (Max.63) dB
	60Hz 61 (Max.66) dB
Safety Protection	Thermal Protection
Insulation Grade	Class F
Bearing	Ball Bearing
Life Expectancy	Over 40000 Hours (40°C)
Frame Material	Aluminum (ADC-12)
Impeller	Metal
Dimension	172*150*55mm
Weight	1.10 Kg

2.Outline drawing



3.Air volume curve

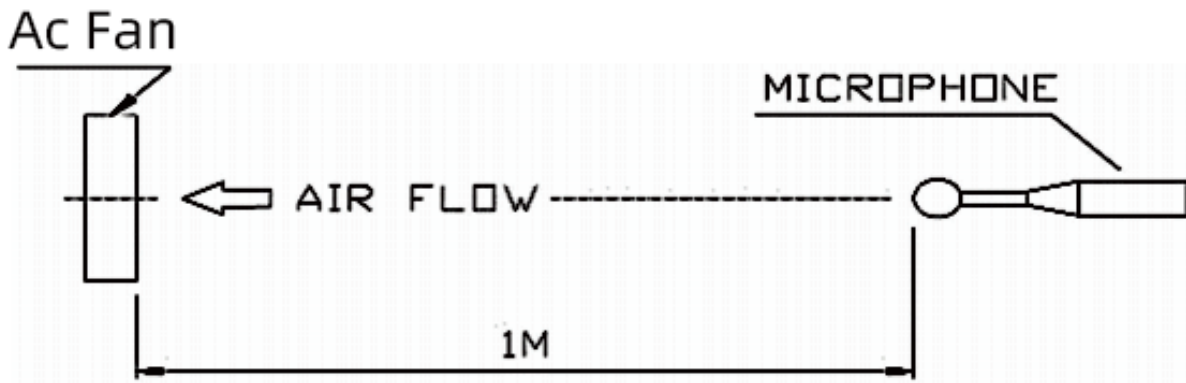


4. Notes

1. All Readings Are Measured After Stably Warming Up Through 30 Minutes.

2. Standard Air Property Is Air At (Td) 25°C Temperature, (Rh) 65% Relative Humidity, And (Pb) 760 MmHg Barometric Pressure.

3. Acoustical Noise Measuring Condition:



4. Noise Is Measured At Rated Voltage In Free Air In A SemiAnechoic Chamber With A & D Sound Level Meter With Microphone At A Distance Of One Meter From The Fan Intake.