



## **Specification For Approval**

### **AC Axial Fan**

**Model: KMA4A500217HB2-S Suction**

**Version: A01**

<b>Approval</b>	<b>Checked</b>	<b>Editor</b>
<b>Taylor Chen</b>	<b>Zheng</b>	<b>Tom</b>

<b>Customer</b>		
<b>Customer recognition</b>	<b>Acceptance</b>	<b>Approval</b>

## DATA SHEET

Model : KMA4A500217HB2-S

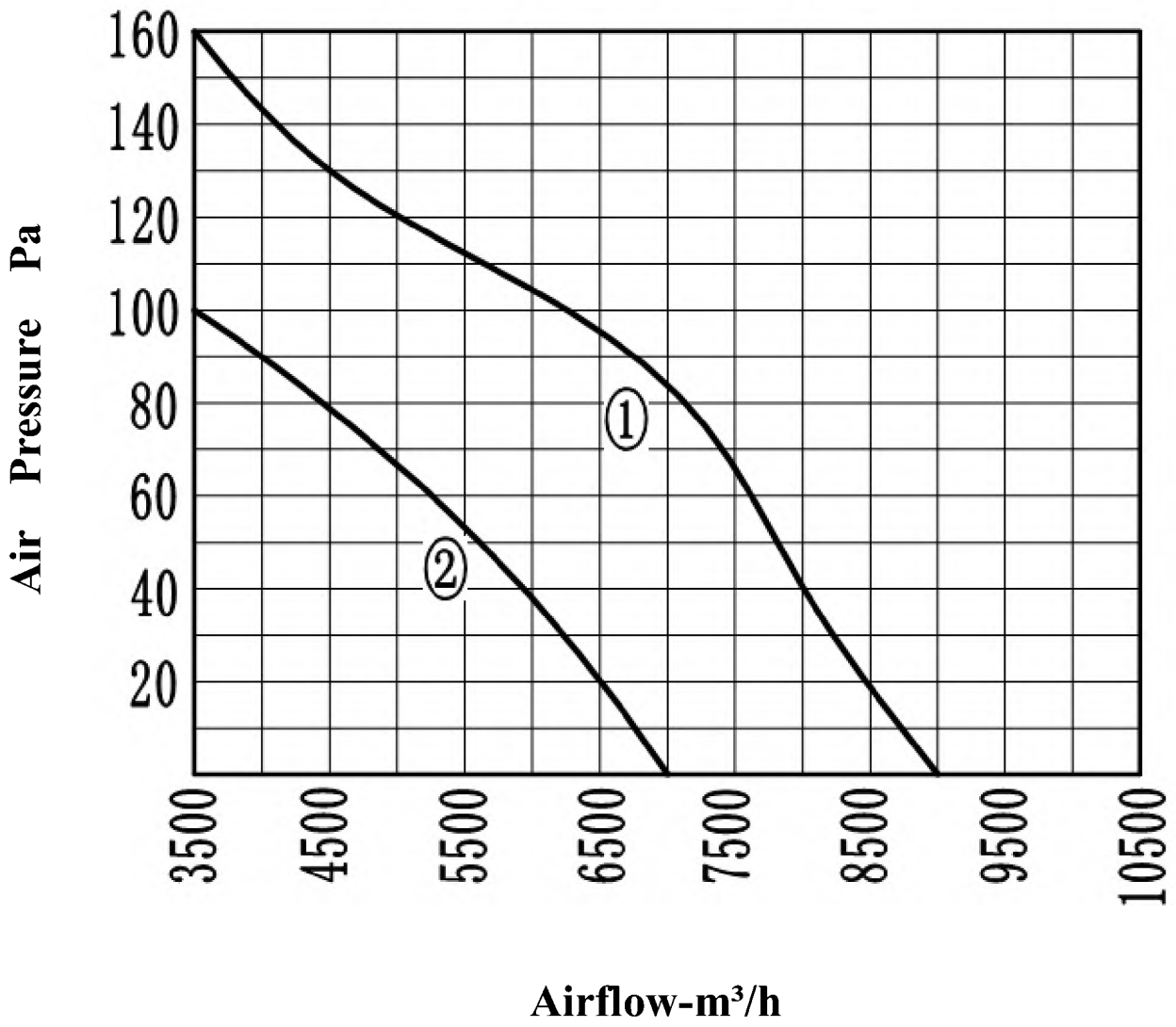
Customer P/N:

Safety:

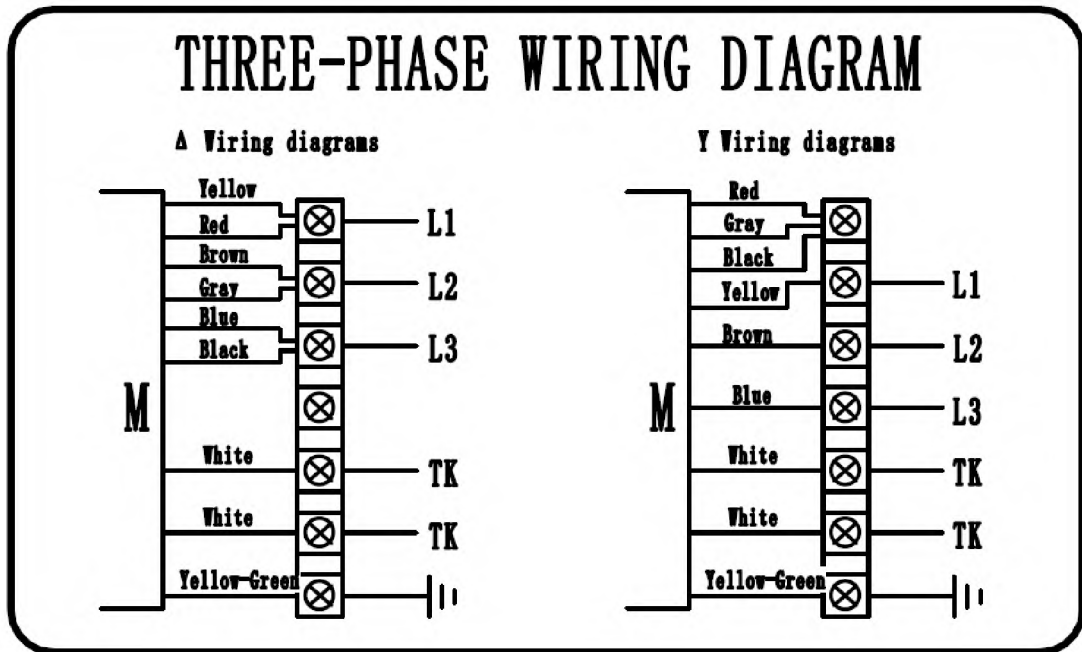
### SPECIFICATION

1. Dimension	$\phi$ 570x 217 mm
2. Bearing System	2 Ball Bearing
3. Rated Voltage	400 VAC $\Delta$ /Y 50 Hz
4. Operating Voltage	340-420 VAC
5. Starting Voltage	340 VAC
6. Input Power	750/500 W
7. Rated Speed	1350/1150 $\pm$ 10% RPM
8. Rotation	Counterclockwise, seen on rotor
9. Air Flow	9000/7000 m <sup>3</sup> /h
10. Static Air Pressure	160 Pa
11. Noise Level	80/70 dB(A)
12. Lead Wire	Variable
13. Connector	N/A
14. Ambient temperature	-30~60°C
15. Life Expectance	$\cong$ 30,000 hours continuous operating at 20°C
16. Insulation class	"F"
17. Type of protection	IP54
18. Number of blades	5
19. Dielectric Strength	1800VAC, 60Hz, 1 min, Leakage current $\leq$ 2.0mA
20. Net Weight	16.0 KG
21. Packing	Corrugated carton, pcs/carton

# PERFORMANCE CURVES



## Connection methods



## Product Outline(unit:mm)

